

PHILIPS

X 1210
monodisk
Volume 8 : Parts manual

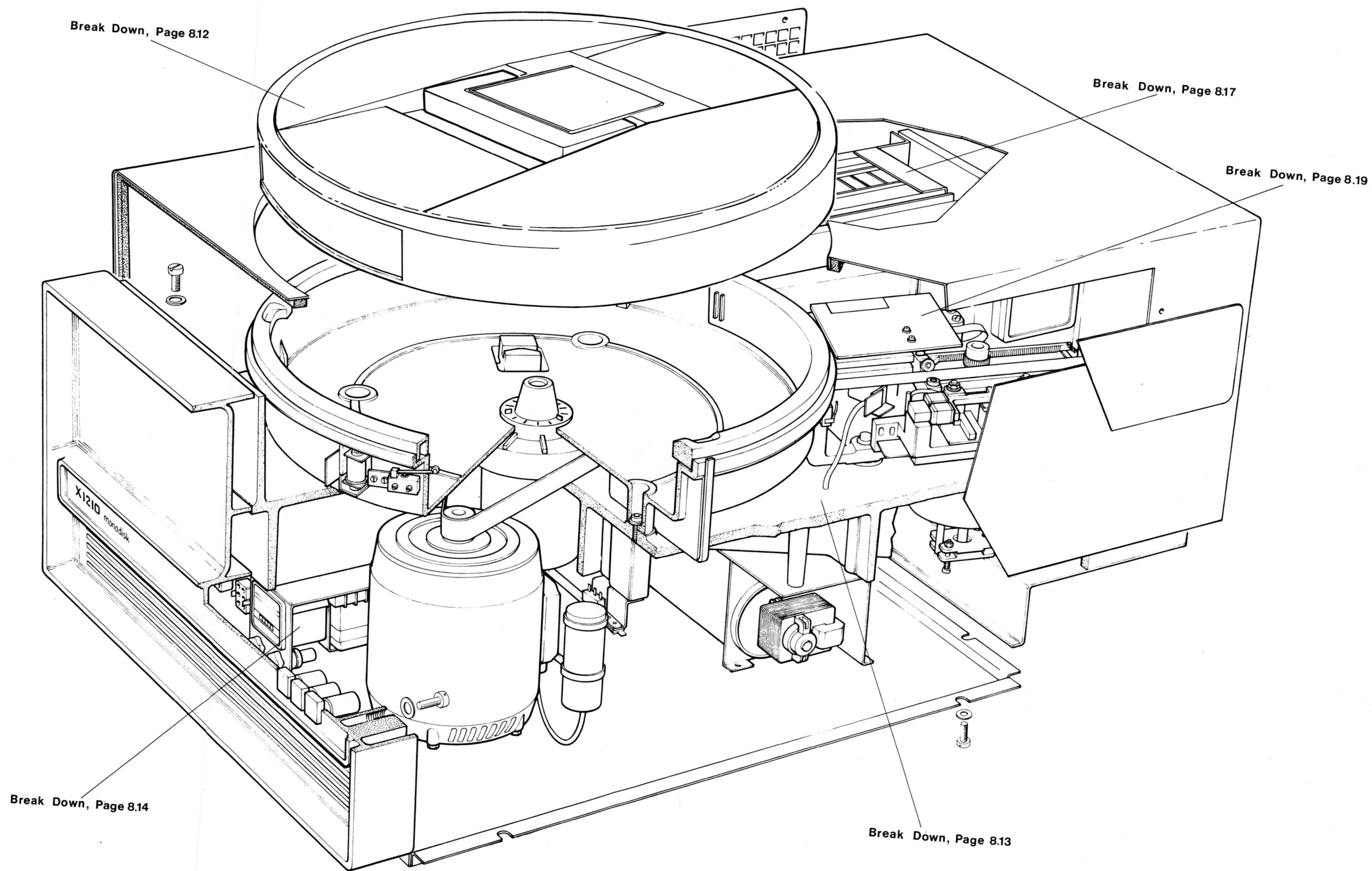


Contents

Locator	8.5
Units (with partslist)	8.7
Accessories, optional	8.37
Special Tool and Test Equipment	8.39
Parts Reference list	8.45

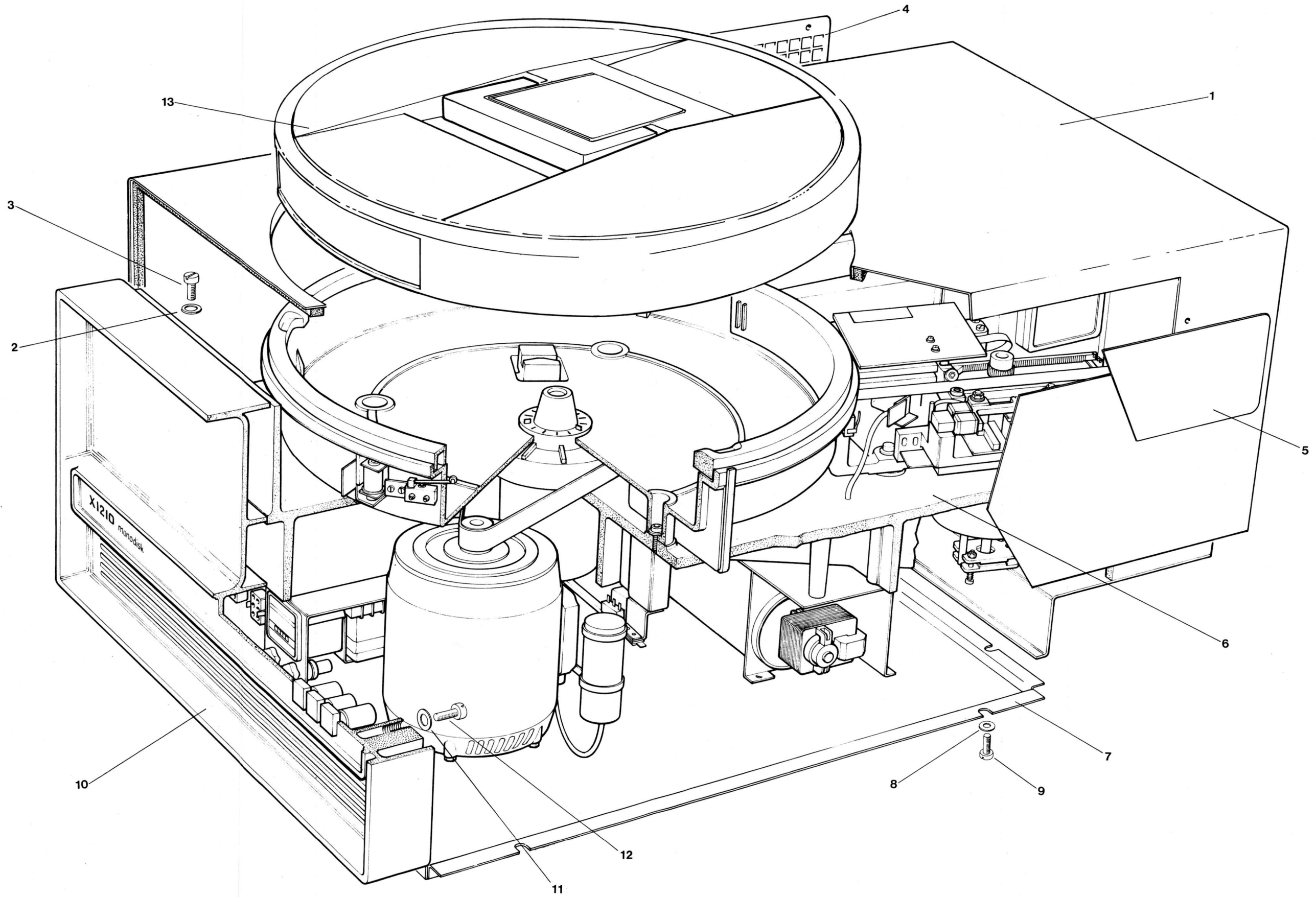
Locator

LOCATOR



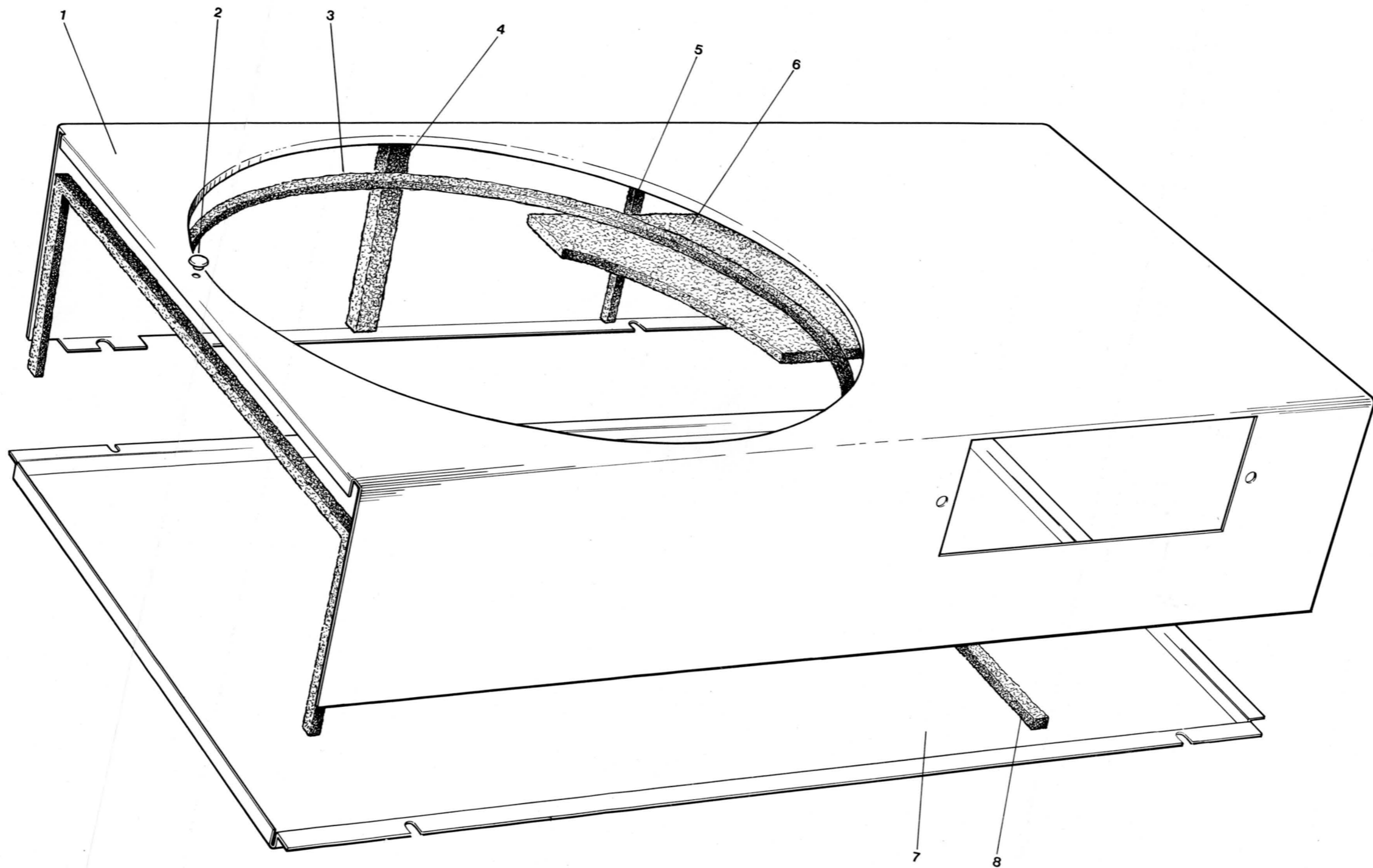
Units (with parts list)

FINAL ASSY, Monodisk X1210



FINAL ASSY MONODISK X1210

Item number	Part number	Description	Quantity per assembly
	5122 294 01100	Final Assy, monodisk X1210	
1	5122 294 41100	Upper Cover Assy	
		Breakdown page 8.9	1
2	2522 600 16026	Washer, Flat, st.,cd.,4,3x9	6
3	2522 004 02038	Screw, Pan hd.,st.,cd.,M4x6	6
4	5122 294 81100	Ventilator Grate Assy	
		Breakdown page 8.10	1
5	5122 294 91100	Inspection Cover Assy	
		Breakdown page 8.10	1
6	5122 294 11100	Base Plate Assy	
		Breakdown page 8.13	1
7	5122 293 81100	Bottom Cover Assy	
		Breakdown page 8.9	1
8	2522 600 16026	Washer, Flat, st.,cd.,4,3x9	5
9	2522 004 02038	Screw, Pan hd.,st.,cd.,M4x6	5
10	5122 299 11100	Front Plate Assy	
		Breakdown page 8.11	1
11	2522 600 16147	Washer, Flat, st.,cd.,6,4x12,5	2
12	2522 006 02212	Screw, Cap, hex.,Skt.,st.,M6x16	2
13	5122 299 51100	Cassette Assy, 24 sect.,XMX1424	opt.
		Breakdown page 8.12	
	5122 293 01100	Cassette Assy, 16 sect.,XMX1416	
		Breakdown page 8.12	opt.
	5122 290 71100	Cassette Assy, C.E. Test	
		Breakdown page 8.38	opt.

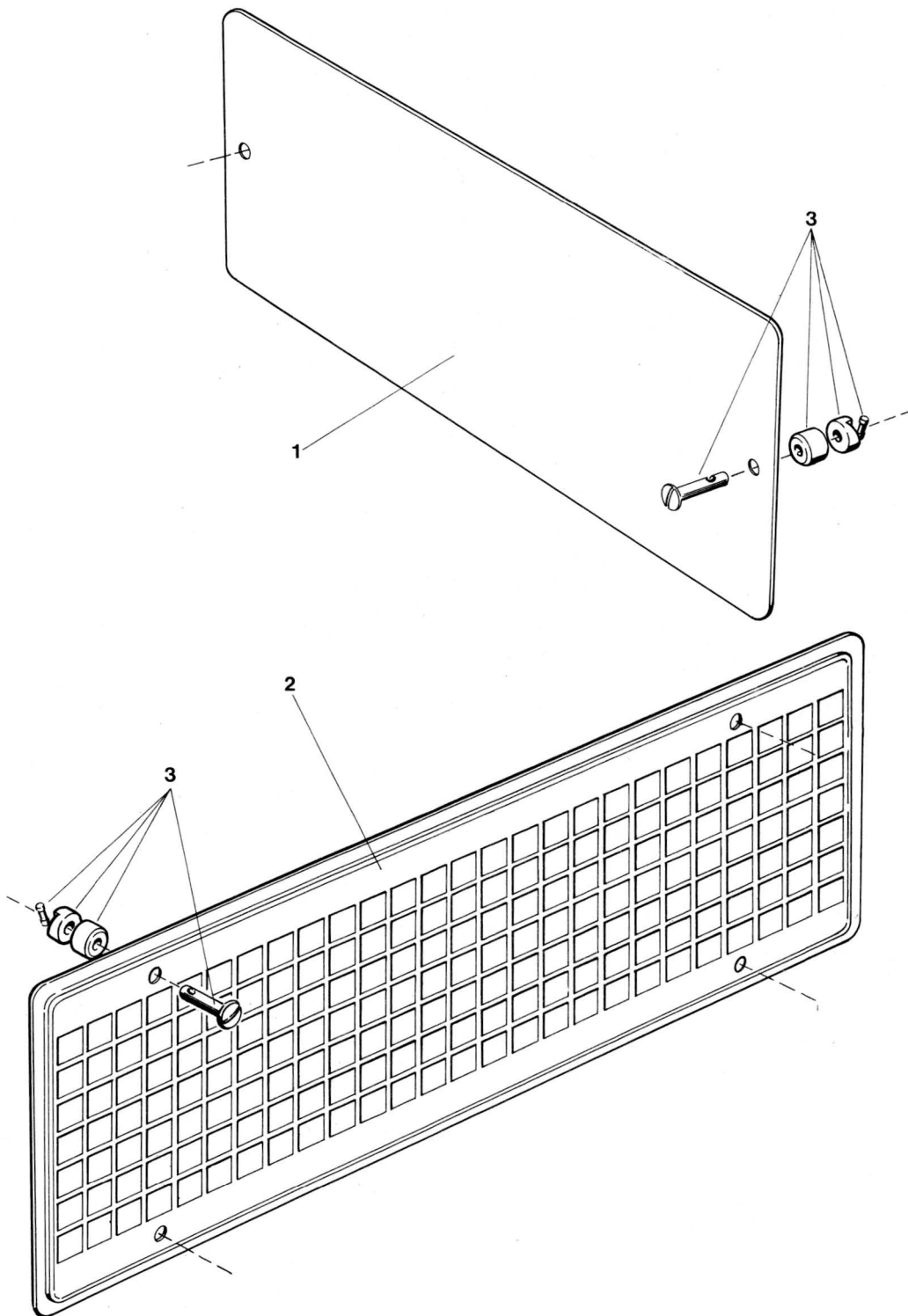


SM X1210 JULY 1971

COVER ASSIES

Item number	Part number	Description	Quantity per assembly
	5122 294 41100	Upper Cover Assy	Ref.
	5122 293 81100	Bottom Cover Assy	Ref.
1	5122 209 11100	Upper Cover	1
2	5122 211 21100	Indication cap	1
3	1222 100 98257	P.V.C. Foam strip 8x5	a/r
4	5122 218 01100	Seal strip, P.V.C.	a/r
5	1222 100 98256	P.V.C. Foam strip 5x7	a/r
6	5122 218 11100	Seal plate	a/r
7	5122 208 91100	Bottom plate	1
8	1222 100 98256	P.V.C. Foam strip	a/r

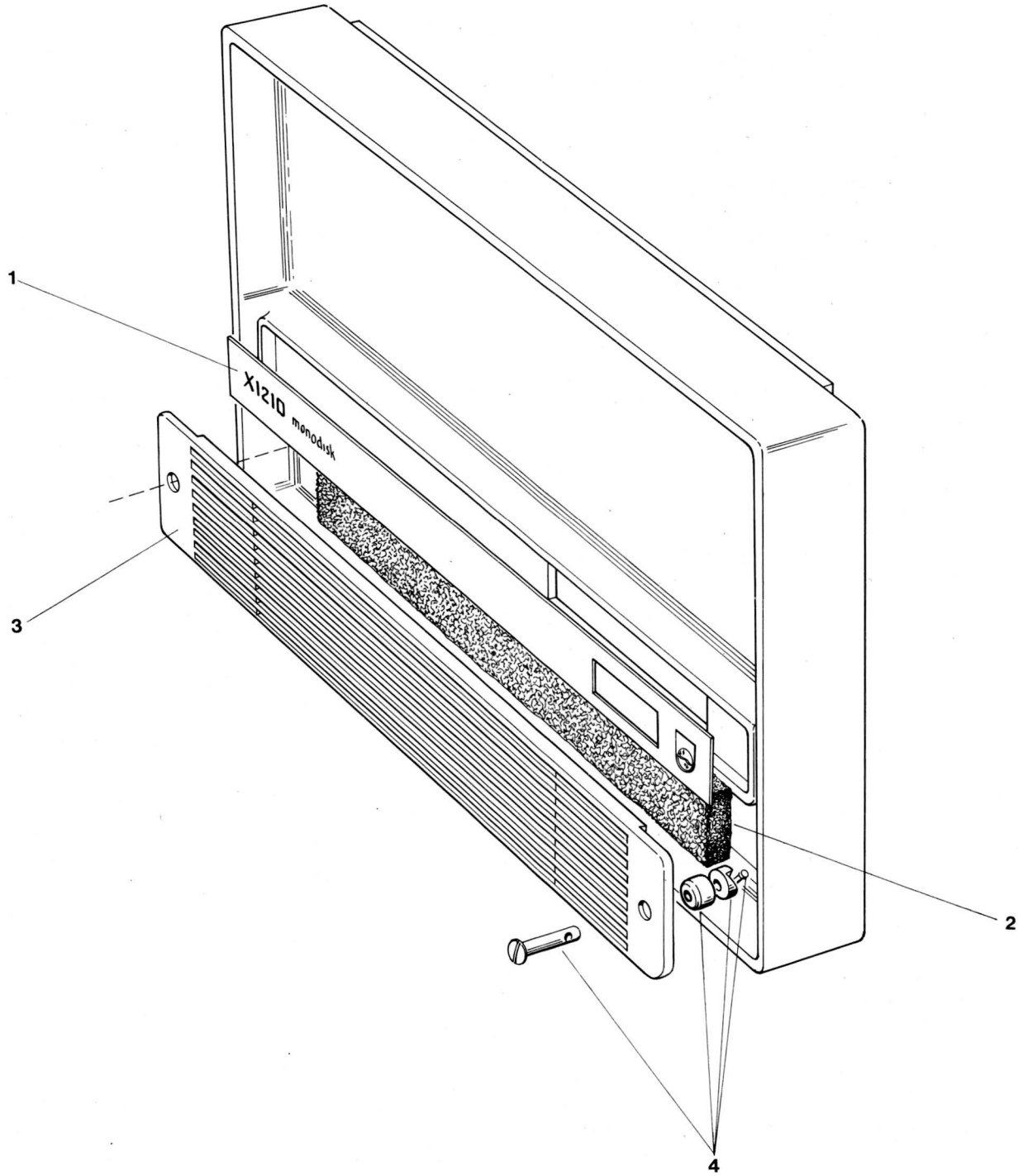
INSPECTION COVER ASSY
VENTILATOR GRATE ASSY



**INSPECTION COVER ASSY
VENTILATOR GRATE ASSY**

Item number	Part number	Description	Quantity per assembly
	5122 294 91100	Inspection Cover Assy	Ref.
	5122 294 81100	Ventilator Grate Assy	Ref.
1	5122 216 71100	Plate, Cover	1
2	5122 211 31100	Plate, Grate	1
3	5122 020 31241	Quick disconnect Fastener	2 4

FRONT PLATE ASSY



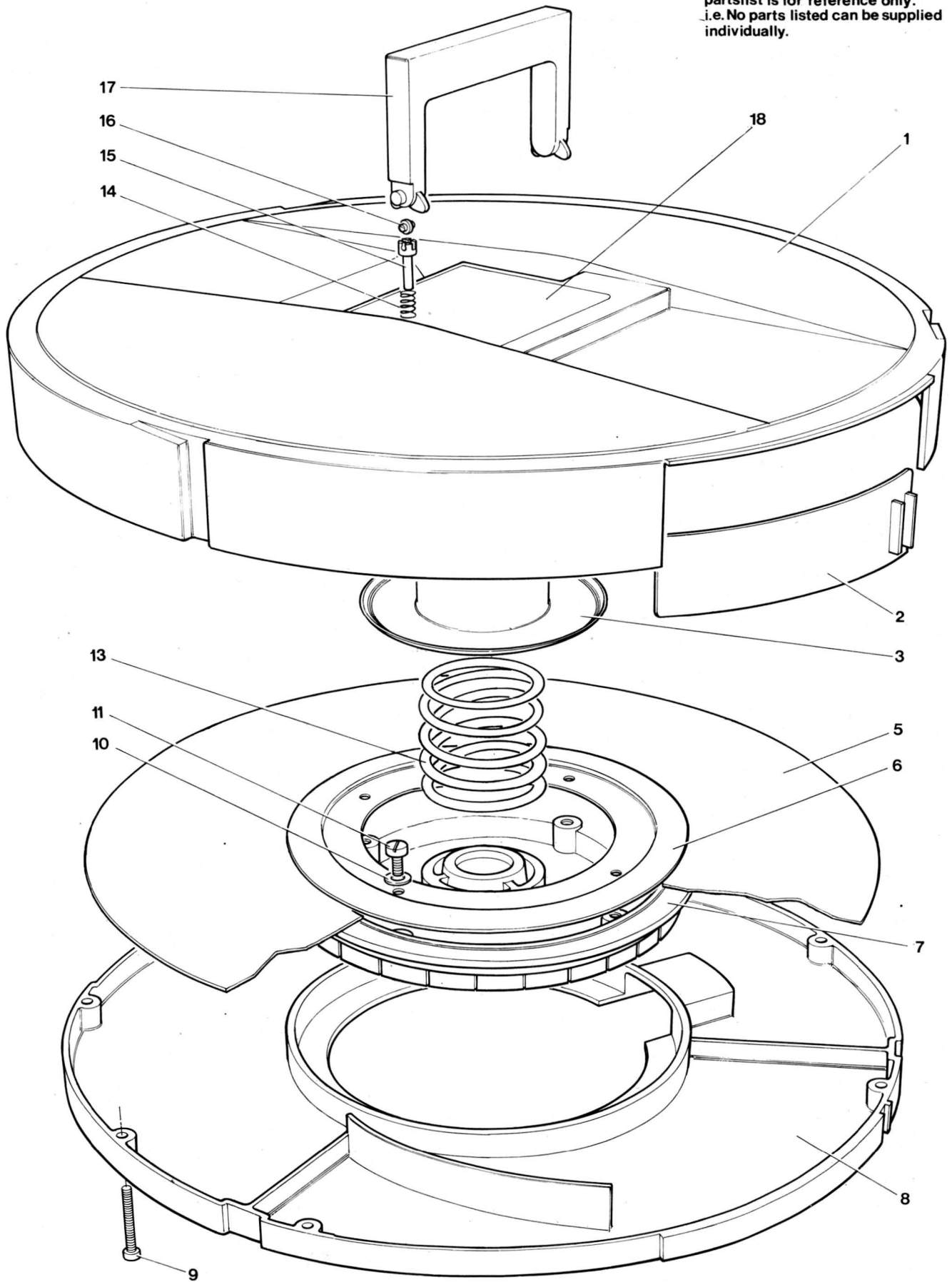
FRONT PLATE ASSY

Item number	Part number	Description	Quantity per assembly
	5122 299 11100	Front Plate Assy	
1	5122 292 91100	Escutcheon Plate	1
2	5122 228 31100	Filter, Front Plate Assy	1
3	5122 292 21100	Grate Assy, Front Plate Assy	1
4	5122 292 31100	Quick-disconnect Fastener	2

CASSETTE ASSY 16 AND 24 SECTORS

Note:

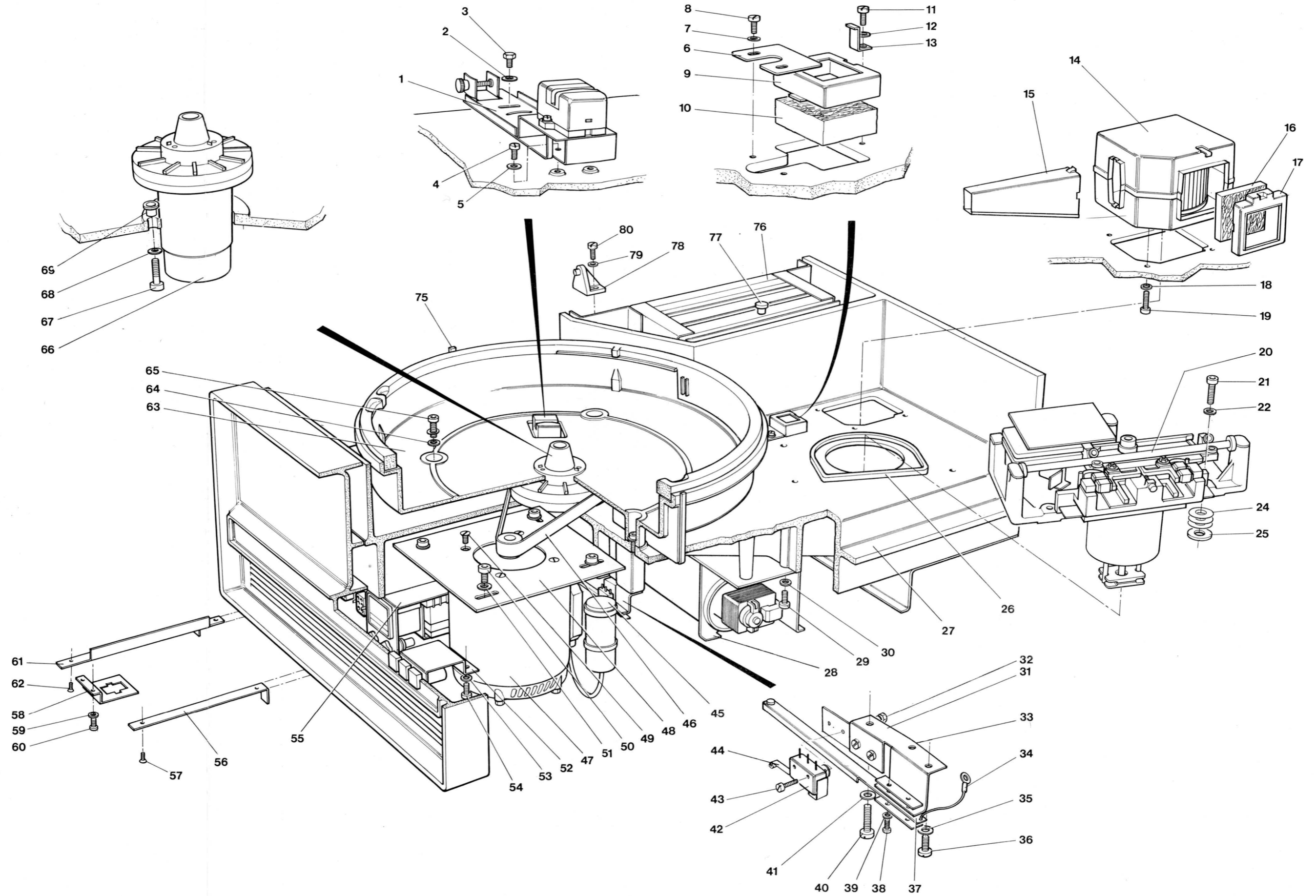
This illustration and associated partlist is for reference only. i.e. No parts listed can be supplied individually.



CASSETTE ASSY 16 AND 24 SECTORS

Item number	Part number	Description	Quantity per assembly	
	5122 293 01100	Cassette Assy, 16 sectors	Ref.	
	5122 299 51100	Cassette Assy, 24 sectors	Ref.	
1	5122 202 71100	Cassette,Half,Upper	1	1
2	5122 202 91100	Cover,Storage	1	1
3	5122 299 21100	Spring,Container	1	1
4				
5	5122 293 11100	Disc Assy,16 sectors	1	
5	5122 299 41100	Disc Assy,24 sectors		1
6	5122 204 91100	Disc,pressure	1	1
7	5122 219 91100	Hub,Disc,16 sectors	1	
7	5122 203 11100	Hub,Disc,24 sectors		1
8	5122 202 81100	Cassette,half,Lower	1	1
9	2511 001 08026	Screw,Selft,Type M3,5x25	7	7
10	2522 600 12031	Washer,Flat,insul.,5,3x11	4	4
11	2522 004 02053	Screw,Pan hd.,st.,cd.,M5x8	4	4
12				
13	5122 229 91100	Spring,Compression	7	7
14	5122 204 51100	Spring,Compression	2	2
15	5122 204 61100	Pin,Roll,Cam	2	2
16	5122 204 71100	Roll,Cam	2	2
17	5122 292 51100	Grip Assy 16 sectors	1	
17	5122 292 41100	Grip Assy 24 sectors		1
18	5122 292 61100	Escutcheon,Philips	1	1

BASE PLATE ASSY (Mechanical)



BASE PLATE ASSY (MECHANICAL)

Item number	Part number	Description	Quantity per assembly
	5122 294 11100	Base Plate Assy, (Mechanical)	
1	5132 199 91100	Index Unit,Breakdown page 8.18	1
2	2522 600 17036	Washer,Flat,st.,cd.,18x6,4	1
3	2522 032 64208	Screw,Cap,hex.,st.,cd.,M6x12	1
4	2522 004 02067	Screw,Pan hd.,st.,cd.,M6x8	2
5	2522 613 03014	Washer,Lock,Cu.,Ni,11,1x6,1	2
6	5122 218 71100	Cable clamp	1
7	2522 600 16026	Washer,Flat,st.,cd.,4,3x9	2
8	2522 004 02039	Screw, Pan hd.,st.,cd.,M4x8	2
9	5122 218 61100	Frame,Filter	1
10	5122 214 21100	Filter,39x39x20	1
11	2522 004 02041	Screw, Pan hd.,st.,cd.,M4x10	1
12	2522 600 16026	Washer,Flat,st.,cd.,9x4,3	1
13	2513 700 03196	Clip,Filter,Frame	1
14	5122 294 61100	Ventilator Assy,Upper	1
15	5122 291 91100	Air duct	1
16	5122 228 21100	Filter 80x70x20	1
17	5122 222 31100	Frame,Filter	1
18	2522 613 03009	Washer,Lock,cu.,ni.,sn.,4,1x7,1	3
19	2522 004 02039	Screw,Pan hd.,st.,cd.,M4x8	3
20	5122 299 01100	Positioner Assy,Breakdown page 8.19	1
21	2522 006 03056	Screw,Cap,skt,hex.,st.,cd.,M6x25	3
22	5122 232 11100	Shim	3
23	5122 206 91100	Bushing,Insulating	3
24	5122 206 71100	Shim	20
25	5122 232 11100	Shim	3
26	1222 100 98257	P.V.C. Foam strip 8x5	a/r
27	5122 294 21100	Base Plate,Wired,Breakdown page 8.35	1
28	5122 295 11100	Ventilator Unit,Lower	1

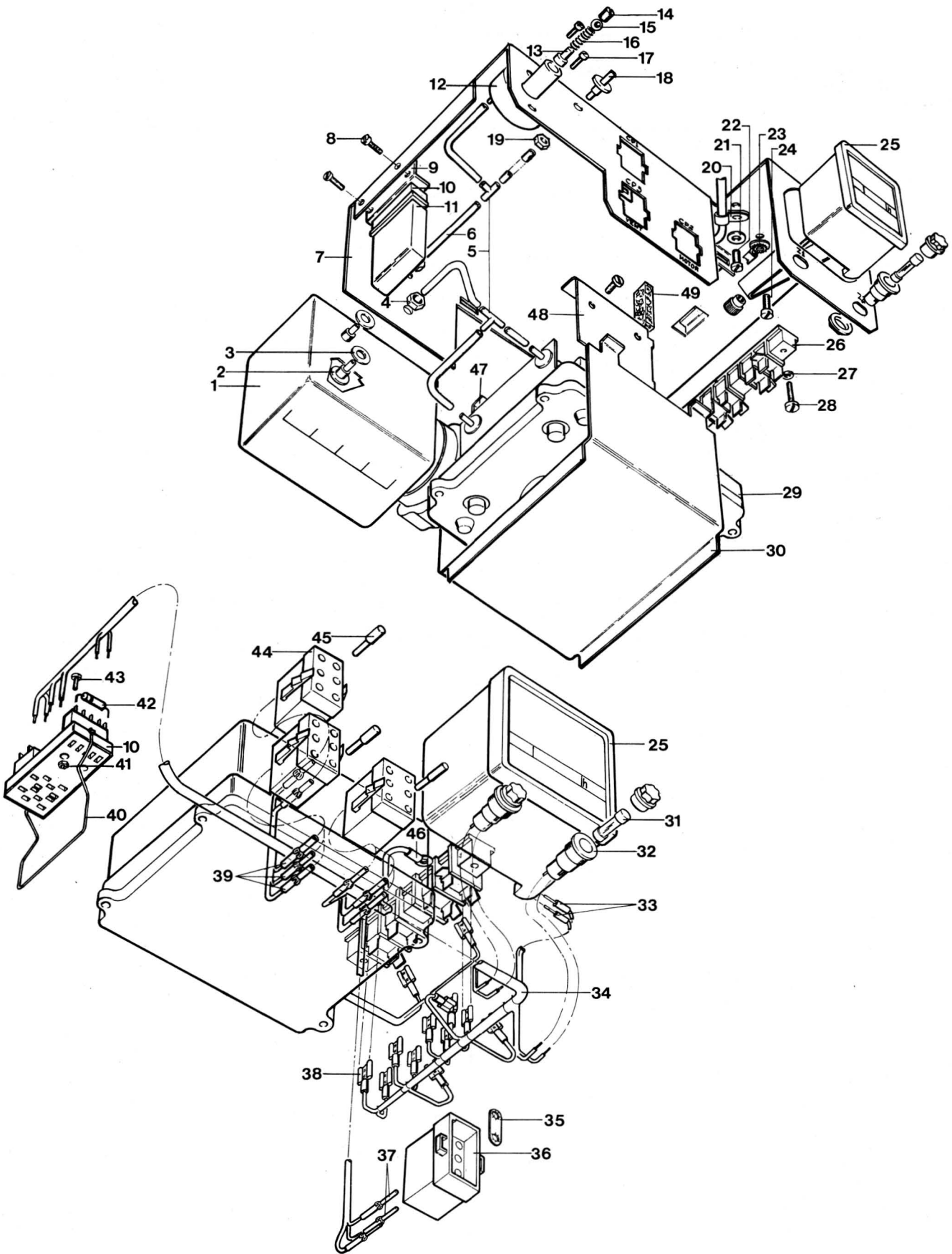
BASE PLATE ASSY (MECHANICAL)

Item number	Part number	Description	Quantity per assembly
	5122 294 11100	Base Plate,Assy, cont.	
29	2522 004 02039	Screw,Pan hd.,st.,cd.,M4x8	4
30	2522 600 16026	Washer,Flat,st.,cd.,4,3x9	4
31	5122 297 31100	Pack on-off Switch Assy	
		Breakdown item 32-45	1
32	2522 401 60005	Nut,Hex.,st.,cd.,M2	2
33	2522 600 16151	Washer,flat,st.,cd.,2,2x5,0	1
34	2422 015 02156	Terminal,Lug,M4x1,5	1
35	2522 616 04007	Washer,Lock,ext,tooth,st.,cd.,4	2
36	2522 004 02041	Screw,Pan hd.,st.,cd.,M4x10	2
37	5122 291 01100	Spring>Contact	1
38	2522 004 02136	Screw,Pan hd.,st.,cd.,M2,5x5	2
39	2522 600 16137	Washer,Flat,st.,cd.,2,7x6,5	2
40	5122 224 11100	Screw,Set	1
41	2522 600 16147	Washer,Flat,st.,cd.,12,5x6,4	1
42	2422 120 00291	Micro-Switch	1
43	2522 004 02007	Screw,Pan hd.,st.,M2x15	2
44	2422 135 00128	Actuator,Switch	1
45	2012 206 10014	Capacitor,Motor	1
46	5122 231 11100	Belt,Drive	1
47	5122 294 71100	Pack motor	1
48	5122 204 31100	Mounting Plate,Pack motor	1
49	2522 018 01063	Screw,csk hd.,st.,cd.,M6x10	4
50	2522 006 03051	Screw,Cap,skc,hex,st.,cd.,M6x12	4
51	2522 613 03014	Washer,Lock, cu.,sn.,ni.,11,1x6,1	4
52	5122 211 11100	Bracket,Mtg,Indicator	1
53	2522 613 03009	Washer,Lock,cu.,sn.,ni.,4,1x7,1	2
54	2522 004 02039	Screw, Pan hd.,st.,cd.,M4x8	2
55	5122 297 21100	Switching Unit, Breakdown page 8.14	1
56	5122 291 11100	Mounting rail,Switching Unit	1

BASE PLATE ASSY(MECHANICAL)

Item number	Part number	Description	Quantity per assembly
	5122 294 11100	Base Plate Assy, cont.	
57	2522 017 04149	Screw,csk,ms.,ni.,M4x8	2
58	5122 216 01100	Bracket,Connector	1
59	2522 613 03009	Washer,Lock,cu.,sn.,ni.,4,1x7,1	2
60	2522 004 02039	Screw,Pan hd.,st.,cd.,M4x8	2
61	5122 293 91100	Mounting rail,Switching Unit	1
62	2522 017 04149	Screw,csk.,ns.,ni.,M4x8	2
63	5122 296 21100	Cassette Holder Assy	
		Breakdown page 8.15	1
64	5122 233 11100	Shim	15
65	2522 006 03051	Screw,Cap.skt,hex.,M6x12	3
66	5122 299 91100	Spindle Assy, Breakdown page 8.16	1
67	2522 006 03056	Screw,Cap,skt.,hex.,cd.,M6x25	4
68	5122 232 11100	Shim	4
69	5122 201 81100	Bushing, Insulating	4
70			
71			
72			
73			
74			
75	1222 100 98261	P.V.C.Foam strip	a/r
76	5132 298 21100	Electronics Cage Assy	
		Breakdown page 8.17	1
77	5122 203 31100	Buffer Grommet	1
78	5122 203 21100	Hinge,Electronics Cage	2
79	2522 600 16026	Washer,Flat,st.,cd.,9x4,3	4
80	2522 004 02041	Screw,Pan hd.,st.,cd.,M4x10	4

SWITCHING UNIT



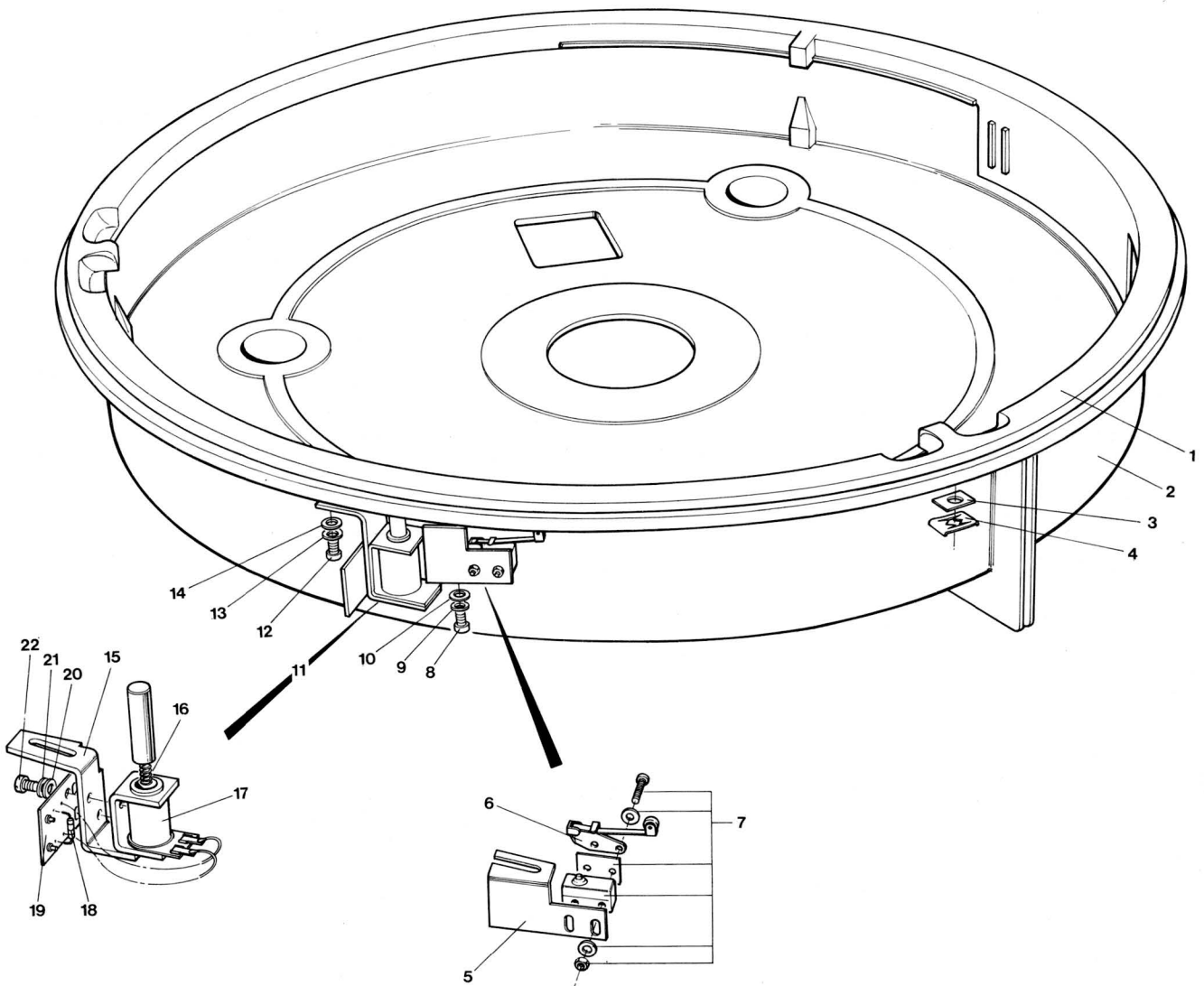
SWITCHING UNIT

Item number	Part number	Description	Quantity per assembly
	5122 297 21100	Switching Unit	
1	5122 213 01100	Pressure vessel	1
2	5122 216 91100	Tube connector	2
3	5122 224 41100	Sealring	2
4	2522 212 51100	Nut,Hex.,M6	2
5	2922 014 98005	'T' Tube connector	2
6	0822 026 08003	Tube, Flex, P.V.C.	a/r
7	5122 212 51100	Chassis	1
8	2522 200 02007	Screw, Selft, 5Nx $\frac{1}{4}$ "	2
9	5122 221 71100	Bracket, Relay	1
10	2422 135 03283	Socket, Relay	1
11	2422 132 01434	Relay	1
12	5122 297 71100	Pressure relief valve	1
13	5122 211 51100	Pressure pin	1
14	2522 040 31093	Setscrew, st., cd., M8x10	1
15	2622 890 00018	Ball bearing	1
16	5122 020 40651	Spring, Compression	1
17	2522 200 02007	Screw, Selft, 5Nx $\frac{1}{4}$ "	2
18	5122 216 91100	Tube connector	1
19	2522 401 60013	Nut, Hex., M6	1
20	2413 015 00137	Cable clamp 4,8	1
21	2522 004 02022	Screw, Pan hd., st., cd., M3x4	1
22	2522 600 16017	Washer, Flat, st., cd., M3	1
23	2522 615 04007	Washer, Lock, ext. tooth	1
24	2522 004 02037	Screw, Pan hd., st., cd., M4x5	1
25	2622 799 05027	Logtimer	1
26	2422 013 00326	Terminal block, Components tabs	1
27	2522 600 16017	Washer, Flat, st., cd.	2
28	2522 004 02027	Screw, Pan hd., st., cd., M3x12	2
29	5122 288 61100	Pump, Pneumatic	1

SWITCHING UNIT

Item number	Part number	Description	Quantity per assembly
	5122 297 21100	Switching Unit, cont.	
30	5122 212 61100	Bracket,Pump	1
31	3522 059 99330	Fuse 1,6A,Slow	2
32	2422 092 00001	Holder,Fuse	2
33	2422 015 02208	Terminal,Wire pin	2
34	5122 296 71100	Cable Harness	1
35	2422 032 00571	Tab,Common,2way	1
36	2422 034 10094	Connector,6p,male	1
37	2422 034 10042	Contact,pin	4
38	2422 015 02862	Terminal,faston,receptacle	11
39	2422 034 10166	Contact,socket	8
40	2422 135 03284	Spring,Relay	1
41	2522 401 60008	Nut,st.,cd.,M3	1
42	9330 458 51112	Diode,BYX 36/600	1
43	2522 004 02025	Screw,Pan hd.,st.,cd.,M3x8	1
44	2422 034 10095	Connector,6p,female	3
45	2422 032 00566	Keying plug	3
46	2422 015 02168	Terminal,Ring Tongue,yellow	1
47	5122 232 31100	Filter Cap	
48	5122 232 41100	Filter Cap	
49	5122 232 51100	Filter	

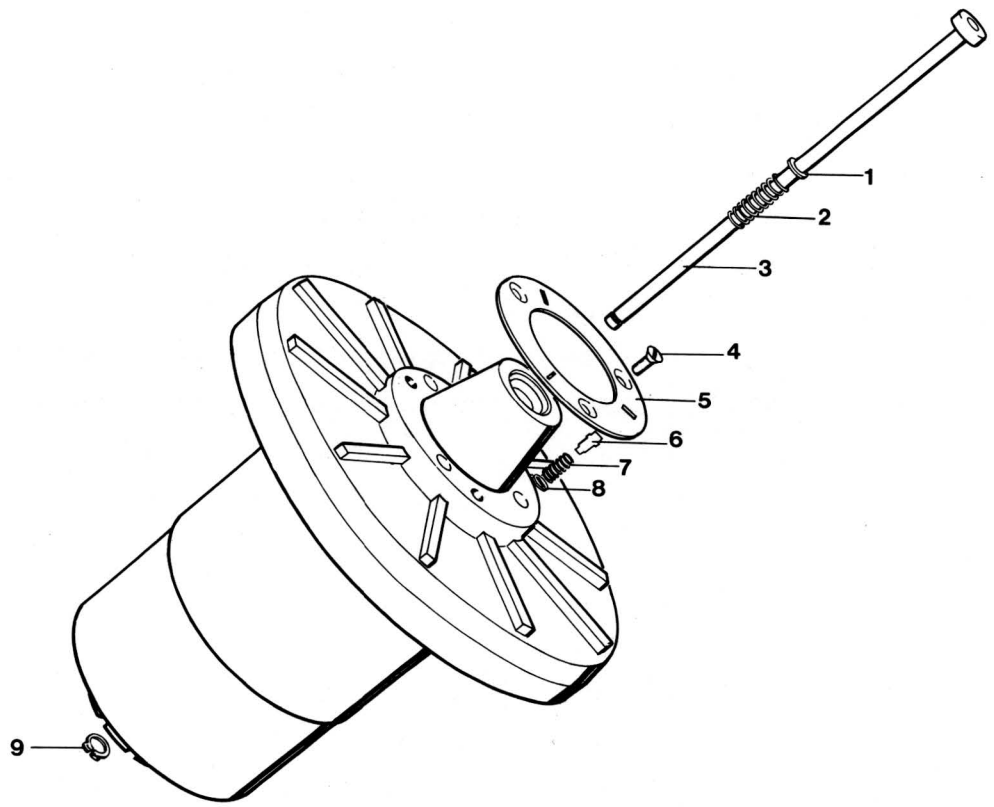
CASSETTE HOLDER ASSY.



CASSETTE HOLDER ASSY

Item number	Part number	Description	Quantity per assembly
	5122 296 21100	Cassette Holder Assy	
1	5122 207 41100	Lockring	1
2	5122 291 81100	Holder Assy,Cassette	1
3	5122 216 61100	Lockring plate	3
4	2512 700 08093	Duo-clip 6ESN 10	3
5	5122 210 11100	Bracket,Mtg,Switch	1
6	2422 135 00128	Actuator,Switch	1
7	2422 120 00291	Switch,Micro	1
8	2522 004 02024	Screw,Pan hd.,st.,cd.,M3x6	2
9	2522 613 03005	Washer,Lock,Cu.,sn.,ni.,3,1x5,7	2
10	2522 600 16017	Washer,Flat,st.,cd.,3,2x7	2
11	5122 296 11100	Solenoid Assy,Breakdown,item 15-22	1
12	2522 004 02024	Screw,Pan hd.,st.,cd.,M3x6	2
13	2522 613 03005	Washer,Lock,st.,cd.,3,1x5,7	2
14	2522 600 16017	Washer,Flat,st.,cd.,3,2x7	2
15	5122 210 21100	Bracket,Mtg,Solenoid Assy	1
16	5122 215 81100	Spring,Compression	1
17	2412 534 00058	Solenoid	1
18	9330 458 51112	Diode BYX 36/600	1
19	5122 226 61100	PCB,Diode	1
20	2522 600 16017	Washer,Flat,st.,cd.,3,2x7	2
21	2522 613 03005	Washer,Lock,st.,cd.,3,1x5,7	2
22	2522 004 02025	Screw,Pan hd.,st.,cd.,M3x8	2

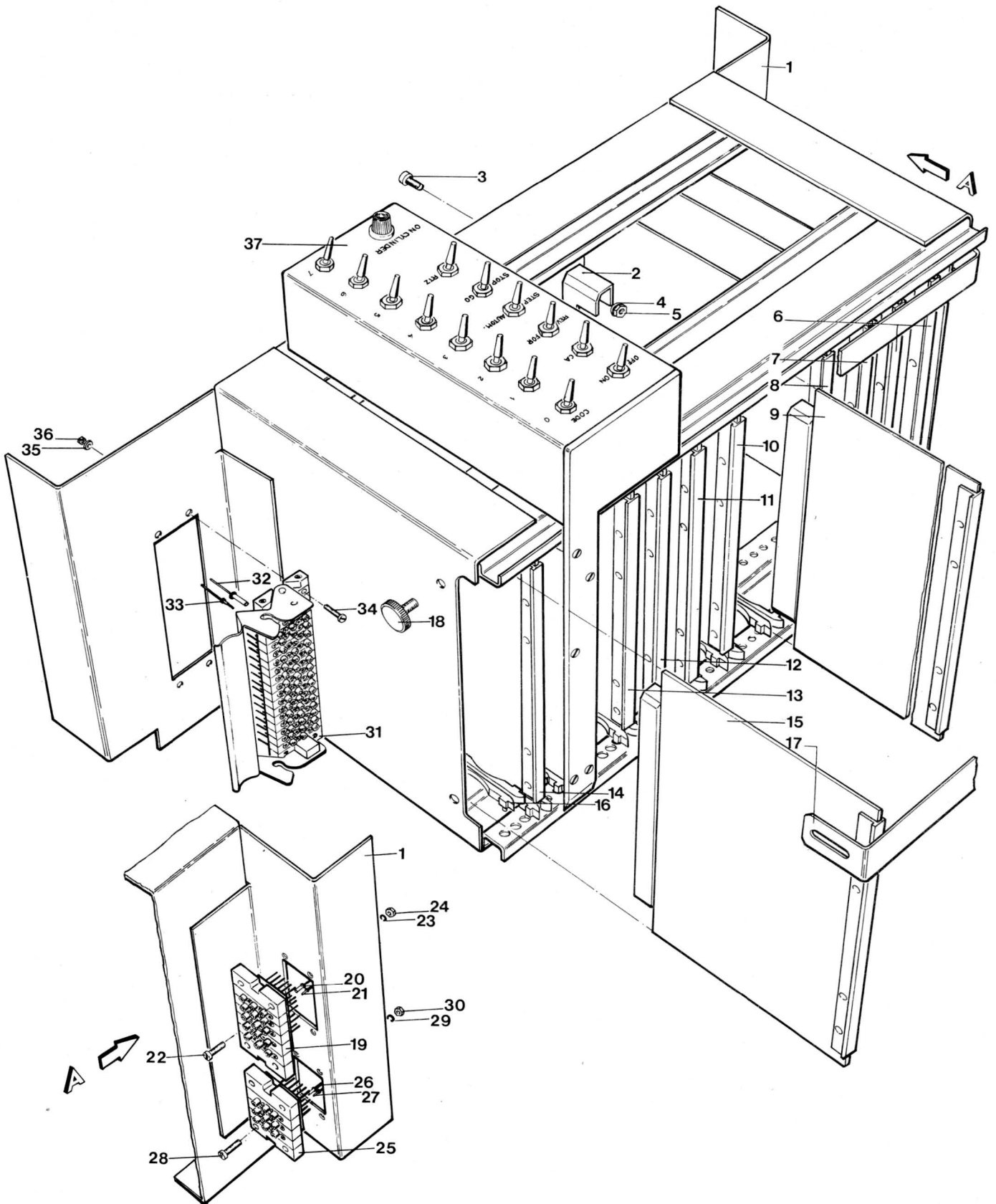
SPINDLE ASSY



SPINDLE ASSY

Item number	Part number	Description	Quantity per assembly
	5122 299 91100	Spindle Assy	
1	2522 634 04004	Ring,Retainer	1
2	5122 201 61100	Spring,Compression	1
3	5122 299 61100	Switch actuator	1
4	2522 018 01026	Screw,csk,st.,M3x10	3
5	5122 221 31100	Plate,Guide,Driver	1
6	5122 231 31100	Pawl,Driver	3
7	5122 221 21100	Spring,Pawl,Compression	3
8	5122 221 51100	Guide ring,Pawl,Driver	3
9	2522 634 04004	Ring,Retainer	1

ELECTRONICS CAGE ASSY



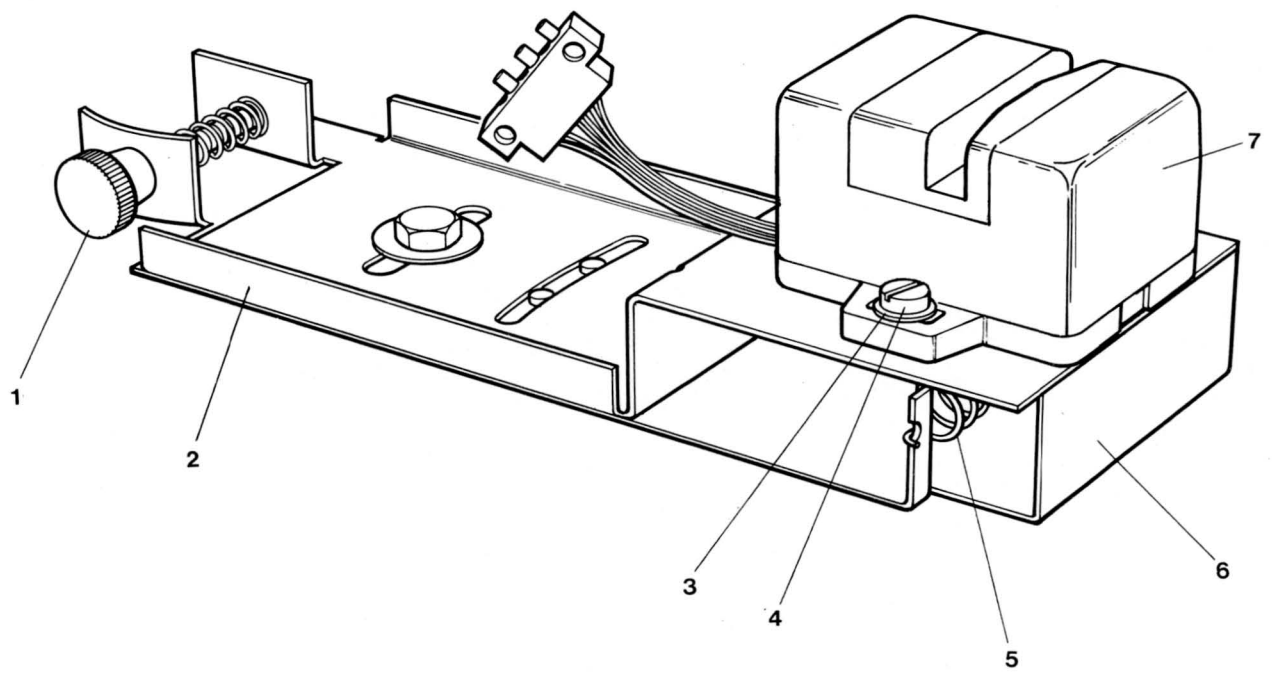
ELECTRONICS CAGE ASSY

Item number	Part number	Description	Quantity per assembly
	5132 198 21100	Electronics Cage Assy	
1	5122 198 31100	Electronic Cage,Wired	1
2	2422 025 89194	Connector 64p	12
3	2522 005 02015	Screw,Pan hd.,st.,cu.,ni.,M2x6	24
4	2522 610 15001	Washer,Flat,st.,cu.,ni.,2,2x4,5	24
5	2522 405 03005	Nut,Hex.,st.,cu.,ni.,M2	24
6	5132 198 51100	P.C.B.A.,Stepmotor Detent Driver	
		Breakdown page 8.25	2
7	5132 198 61100	P.C.B.A.,Lamp,Relay,Valve Driv./Shift	
		Breakdown page 8.26	1
8	5132 198 71100	P.C.B.A.,Read Amplifier.Phase Corr.	
		Breakdown page 8.27	1
9	5132 198 91100	P.C.B.A.,Read Recovery	
		Breakdown page 8.28	1
10	5132 196 31100	P.C.B.A.,Write Erase,Amplifier Safety	
		Breakdown page 8.29	1
11	5132 199 11100	P.C.B.A.,Safety,Supply,Clockspeed '0'	
		Breakdown page 8.30	1
12	5132 199 21100	P.C.B.A.,Stepmotor,Detent Control	
		Breakdown page 8.31	1
13	5132 199 31100	P.C.B.A.,Start/Stop Control,Safety	
		Breakdown page 8.32	1
14	5132 199 51100	P.C.B.A.,Register/Var.Speed	
		Breakdown page 8.33	1
15	5132 199 61100	P.C.B.A.,Transmitter/Receiver	
		Breakdown page 8.34	1
16	4322 026 70040	Guide Card	48
17	5132 104 51100	Bracket	1
18	5132 104 41100	Screw,Cap,kurled	2
19	2411 022 02101	Connector,30p	1

ELECTRONICS CAGE ASSY

Item number	Part number	Description	Quantity per assembly
	5132 198 21100	Electronics Cage Assy, cont.	
20	2411 022 49019	Contact,Skt	15
21	2411 022 49018	Contact,Pin	15
22	2522 001 08767	Screw,Pan hd.,ms.,ni.,M1,6x8	4
23	2522 610 12016	Washer,Flat,st.,ni.,1,8x4	4
24	2522 401 05063	Nut,Hex.,br.,ni.,M1,6	4
25	2411 022 02102	Connector 18p	1
26	2411 022 49019	Contact,Skt.	9
27	2411 022 49018	Contact,Pin	9
28	2522 001 08767	Screw,Pan hd.,ms.,ni.,M1,6x8	4
29	2522 610 12016	Washer,Flat,st.,ni.,1,8x4	4
30	2522 401 05063	Nut,Hex.,br.,ni.,M1,6	4
31	2411 022 02011	Connector 102p	1
32	2411 022 49019	Contact,Skt	51
33	2411 022 49018	Contact,Pin	51
34	2522 001 08767	Screw,ms.,ni.,M1,6x8	4
35	2522 610 12016	Washer,flat,st.,ni.,1,8x4	4
36	2522 401 05063	Nut,Hex.,ms.,ni.,M1,6	4
37	5132 196 81100	Test Unit	opt.

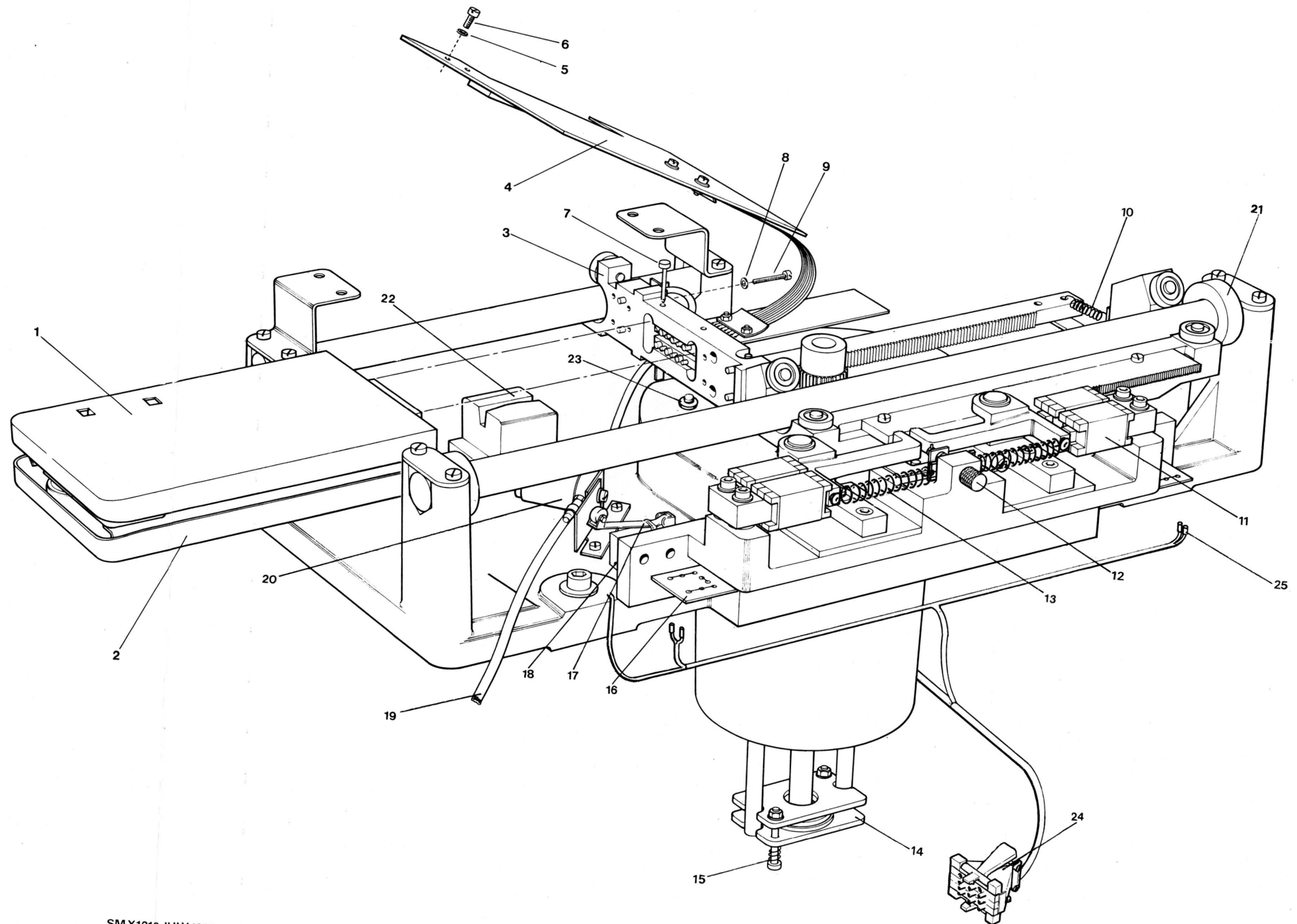
INDEX UNIT ASSY



INDEX UNIT ASSY

Item number	Part number	Description	Quantity per assembly
Index Unit Assy			
1	5122 020 34111	Setscrew,Knurled cap,M4x35	1
2	5122 219 01100	Mounting bracket,Index Unit	1
3	2522 600 16017	Washer,Flat,st.,cd.,7x3,2	2
4	2522 004 02026	Screw,Pan hd.,st.,cd.,M3x10	2
5	5122 020 40641	Spring,Extension	1
6	5122 293 51100	Mounting base Index Unit	1
7	5132 199 91100	Index Unit	1

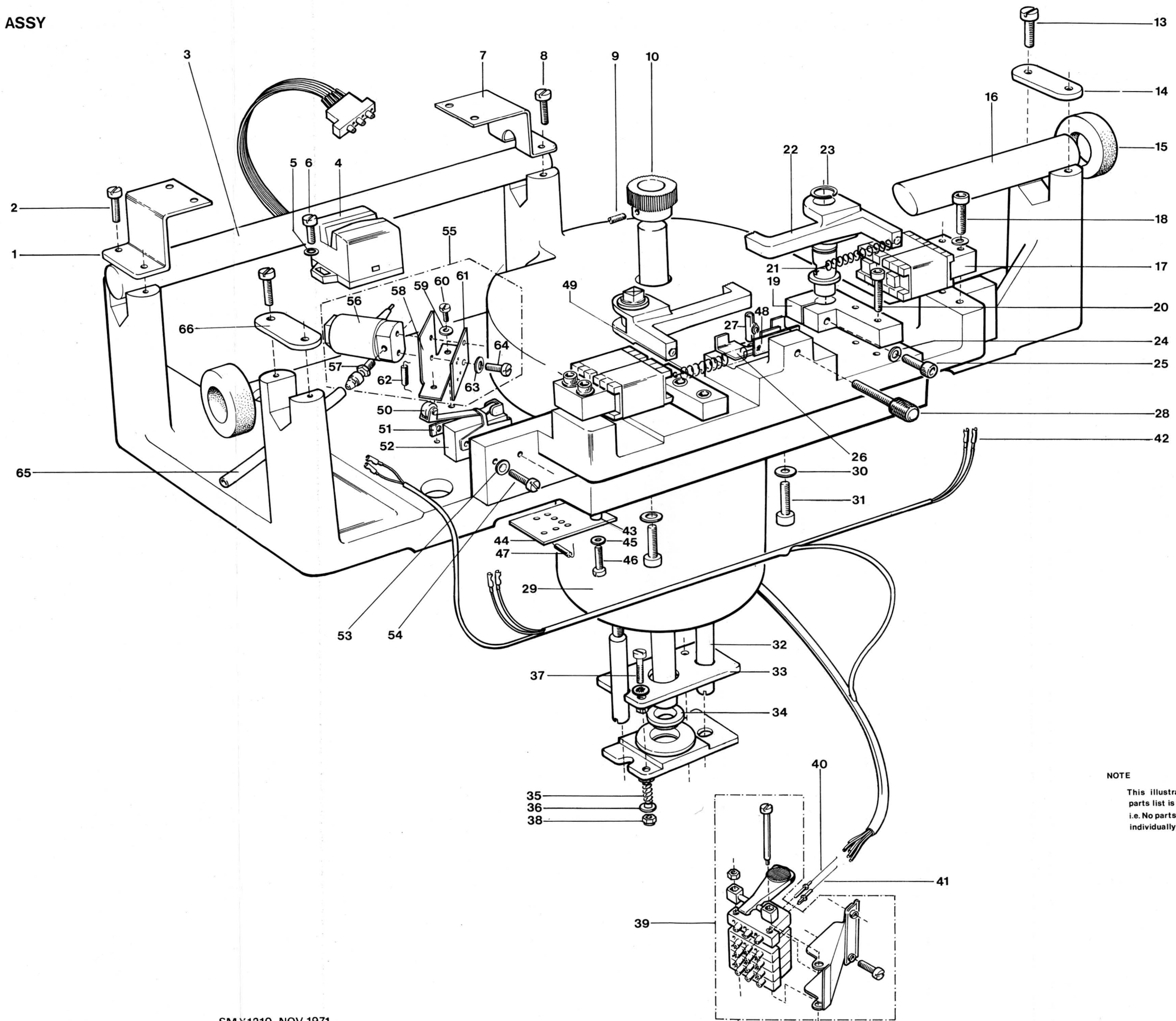
POSITIONER ASSY



POSITIONER ASSY.

Item number	Part number	Description	Quantity per assembly
	5122 299 01100	Positioner Assy	
1	5122 298 31100	Head Assy,Upper	
		Breakdown page 8.22	1
2	5122 297 81100	Head Assy,Lower,	
		Breakdown page 8.22	1
3	5122 295 21100	Carriage Assy	1
4	5132 199 71100	P.C.B.A.Pre-amplifier,	
		Breakdown page 8.24	1
5	2522 600 16137	Washer,Flat,st.,cd.,2,7x6,5	4
6	2522 004 02135	Screw,Pan hd.,st.,cd.,M2,5x4	4
7	5122 217 51100	Pin,Cap	2
8	2522 600 16137	Washer,Flat,st.,cd.,2,7x6,5	2
9	2522 004 02143	Screw,Cap,hex.,skt.,M2,5x18	4
10	5122 224 01100	Spring,Tension	1
11	5122 295 61100	Magnet Assy	2
12	5122 216 11100	Screw,Cap,knurled	1
13	5122 229 21100	Spring,Pawl,Detent	2
14	5122 291 21100	Friction disk Assy	2
15	5122 229 51100	Spring,Damping	2
16	5122 293 71100	Diode Board Assy	2
17	2422 135 00128	Actuator,Switch	2
18	2422 120 00291	Switch,Micro	2
19	0822 096 02189	Tube,silicone	a/r
20	5122 296 61100	Solenoid Valve Assy	1
21	5122 207 31100	Grommet,Buffer	2
22	5132 199 91100	Index Unit	1
23	2412 015 09038	Stop,Bumper	1
24	2411 022 01002	Connector	1
25	2422 034 10253	Contact,Grimp	6

POSITIONER ASSY



NOTE

This illustration and associated parts list is for reference only i.e. No parts listed can be supplied individually.

POSITIONER ASSY

Item number	Part number	Description	Quantity per assembly
	5122 299 01100	Postitioner Assy	
1	5122 211 91100	Bracket,Shaft,Short	1
2	2522 004 02023	Screw,Pan hd.,st.,cd.,M3x5	2
3	5122 225 71100	Shaft,Short	1
4	5132 199 91100	Index Unit	1
5	2522 600 16017	Washer,Flat,st.,cd.,3x0,5	2
6	2522 004 02026	Screw,Pan hd.,st.,cd.,M3x10	2
7	5122 225 01100	Bracket,Rear,Shaft,Short	1
8	2522 004 02023	Screw,Pan hd.,st.,cd.,M3x5	2
9	2522 043 02038	Screw,Set.st.,cd.,M3x5	2
10	5122 223 31100	Gear,Pinion	1
11			
12			
13	2522 004 02023	Screw,Pan hd.,st.,cd.,M3x5	2
14	5122 219 21100	Bracket,Holddown,Shaft,Long	1
15	5122 207 31100	Grommet,Buffer	2
16	5122 225 61100	Shaft,Long	1
17	5122 295 61100	Magnet Assy	2
18	2522 006 03207	Screw,Cap,hex.skt.,M4x16	4
19	5122 221 91100	Clamp link	2
20	2522 006 03207	Screw,Cap,hex.skt.,M4x16	2
21	5122 207 01100	Shaft,Pawl	2
22	5122 289 81100	Detent Pawl Assy	2
23	2522 630 02008	Retaining ring	2
24	2522 600 16026	Washer,Flat,st.,cd.,4x0,8	2
25	2522 006 02025	Screw,Cap,hex.,skt.,M4x20	2
26	5122 216 21100	Bracket,Pawl stop	1
27	2522 677 01101	Spirol pin	2
28	5122 216 11100	Screw,Cap,knurled	1
29	5122 295 41100	Positioner Motor Assy	
		Breakdown item 30-42	1

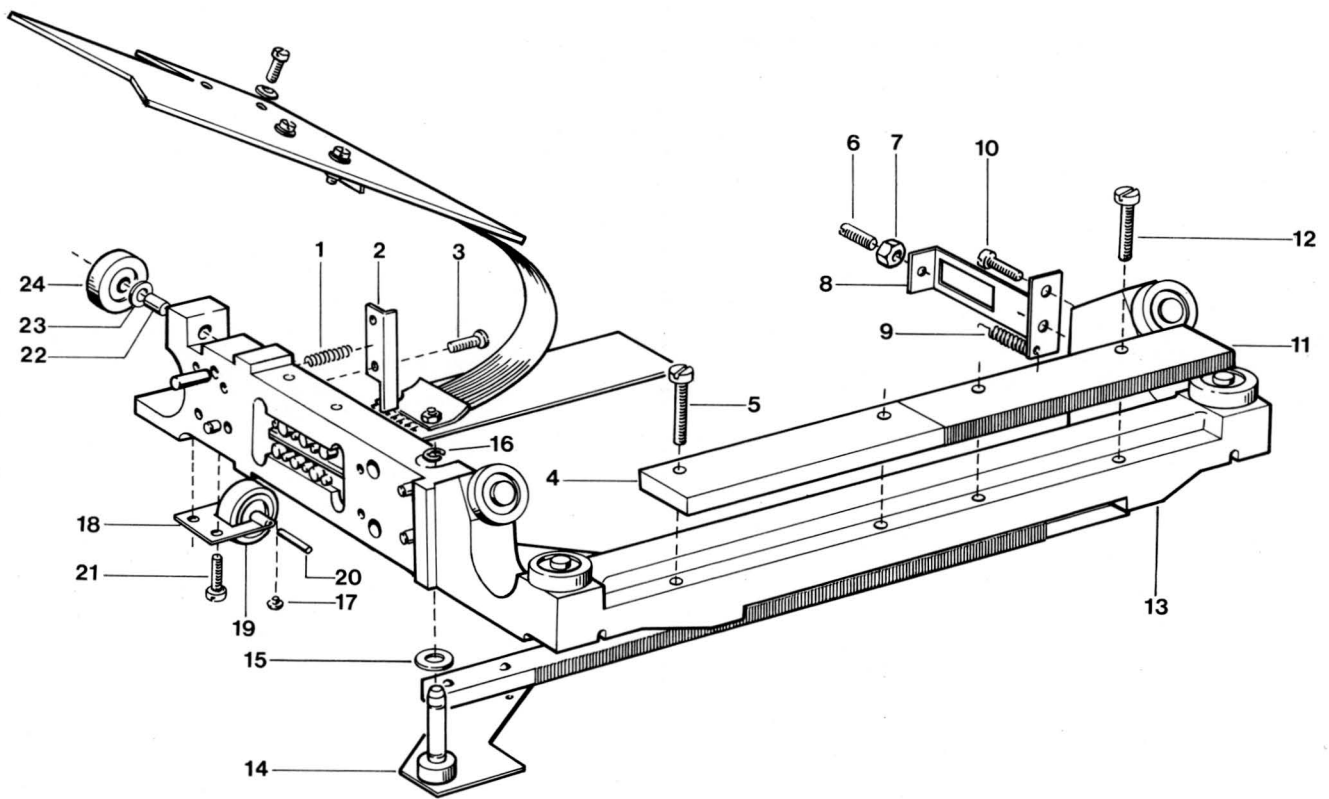
POSITIONER ASSY

Item number	Part number	Description	Quantity per assembly
	5122 299 01100	Positioner Assy (cont.)	
30	2522 600 16029	Washer,Flat,st.,cd.,5x1	4
31	2522 006 02209	Screw,Cap,hex.,skt.,M5x16	4
32	5122 209 91100	Guide,Disc,Brake	2
33	5122 291 21100	Friction Disc Assy	2
34	5122 209 81100	Friction Disc	1
35	5122 229 51100	Spring,Damping	2
36	2522 655 01012	Washer,sleeve	4
37	2522 001 07106	Screw,Pan hd.,st.,cd.,M3x25	2
38	2522 418 01001	Nut,Self Locking,M3	2
39	2411 022 01002	Connector,30p	1
40	2411 022 49018	Contact,pin	15
41	2411 022 49019	Contact,skt	15
42	2422 034 10253	Contact,crimp	6
43	2522 627 01047	Spacer,Al,Aly,4x6x8	4
44	5122 293 71100	Diode Board Assy	2
45	2522 600 16026	Washer,Flat,st.,cd.,4x0,8	4
46	2522 004 02043	Screw, Pan hd.,st.,cd.,M4x14	4
47	9330 458 51112	Diode BYX 36/600	2
48	5122 229 11100	Plate,Retainer,Spring	1
49	5122 229 21100	Spring,Tension,Detent	2
50	2422 135 00128	Actuator,Micro-switch	2
51	5122 221 81100	Nut plate	2
52	2422 120 00291	Micro-Switch	2
53	2522 600 16151	Washer,Flat,st.,cd.,2x0,3	4
54	2522 004 02008	Screw,Pan hd.,st.,cd.,M2x18	4
55	5122 296 61100	Solenoid Valve Assy	1
56	2922 031 10042	Solenoid valve	1
57	2922 006 98001	Coupling,Tube	2
58	5122 218 21100	Bracket,Mtg.,Valve	1

POSITIONER ASSY

Item number	Part number	Description	Quantity per assembly
	5122 299 01100	Positioner Assy, cont.	
59	2522 600 16017	Washer,Flat,st.,cd.,3x0,5	2
60	2522 004 02024	Screw,Pan hd.,st.,cd.,M3x6	2
61	5122 293 71100	Diode Board Assy	1
62	9330 458 51112	Diode BXY 36/600	1
63	2522 600 16017	Washer,Flat,st.,3x0,5	2
64	2522 004 02023	Screw,Pan hd.,st.,cd.,M3x5	2
65	0822 096 02189	Tube,Silicone,transparent	a/r
66	5122 206 61100	Plate,hold-down,Shaft,long	1

CARRIAGE ASSY



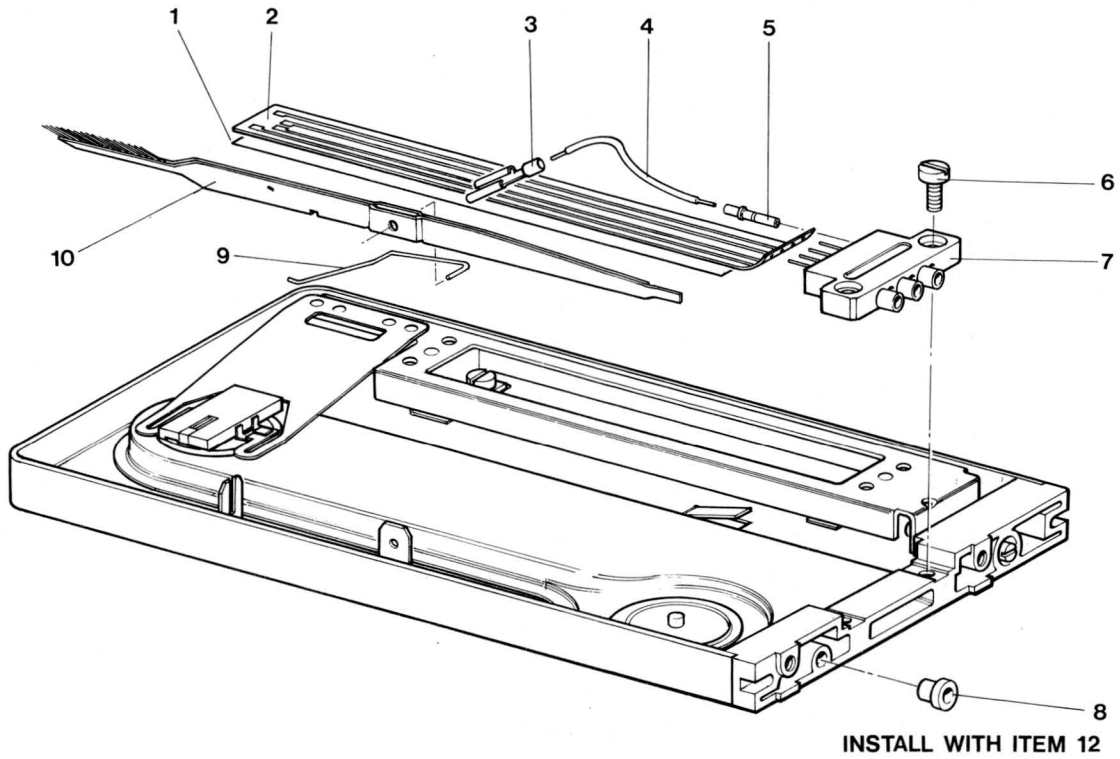
NOTE

This illustration and associated parts list is for reference only. i.e. No parts listed can be supplied individually.

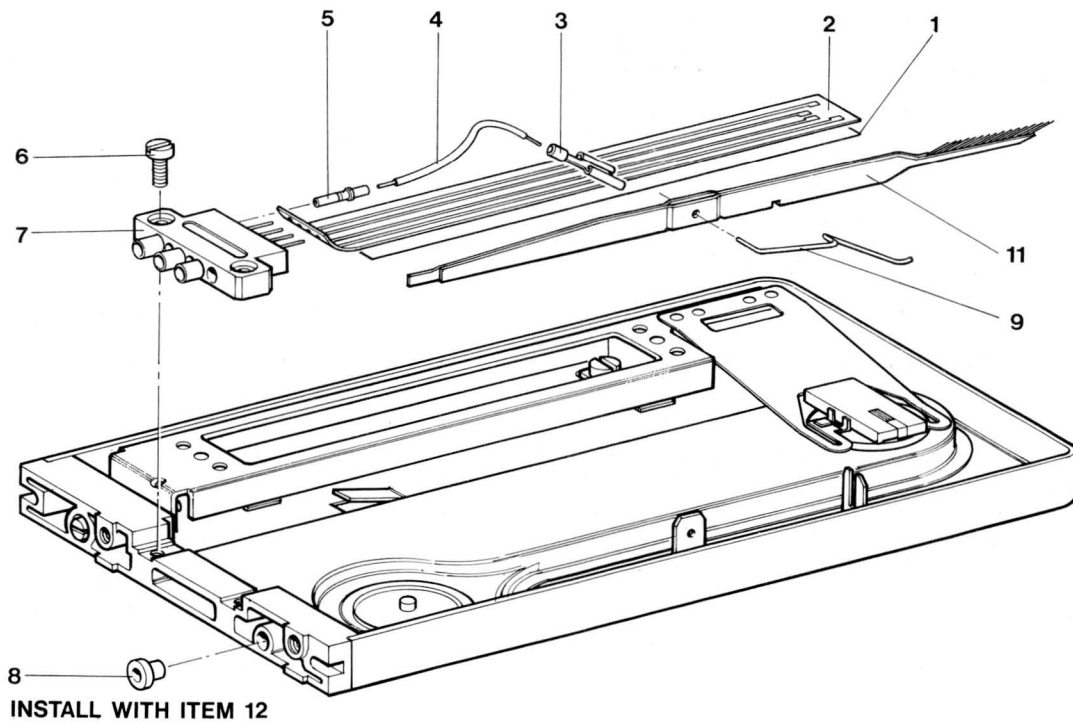
CARRIAGE ASSY

Item number	Part number	Description	Quantity per assembly
	5122 295 21100	Carriage Assy	
1	5122 020 40531	Spring,Compression	1
2	5122 205 61100	Bracket	1
3	2522 028 08095	Screw,Round hd.,st.,cd.,M3x10	2
4	5122 230 41100	Plate,Blocking	1
5	2522 004 02025	Screw,Pan hd.,st.,cd.,M3x8	2
6	2522 040 47047	Screw,Set,Flat pt.,st.,cd.,M3x10	1
7	2522 401 60008	Nut,Hex,st.,cd.,M3	1
8	5122 223 81100	Rack,Support	1
9	5122 224 01100	Spring,Extension	1
10	2522 004 02023	Screw,Pan hd.,st.,cd.,M3x5	2
11	5122 205 51100	Rack,Detent	1
12	2522 040 47047	Screw,Pan hd.,st.,cd.,M3x8	2
13	5122 205 11100	Carriage,Machined	1
14	5122 290 81100	Rack,Positioner	1
15	2622 080 30001	'O' Ring	1
16	2522 634 04007	Retaining ring	1
17	2412 015 09038	Grommet	1
18	5122 205 91100	Spring,Bearing support	3
19	5122 020 40171	Bearing 3x10x4 GMN623	3
20	2522 670 01049	Shaft	3
21	2522 004 02023	Screw,Pan hd.,st.,cd.,M3x5	6
22	2522 670 01047	Shaft	5
23	5122 205 81100	Ring	5
24	5122 020 40171	Bearing 3x10x4 GMN623	5

HEAD ASSY (UPPER)



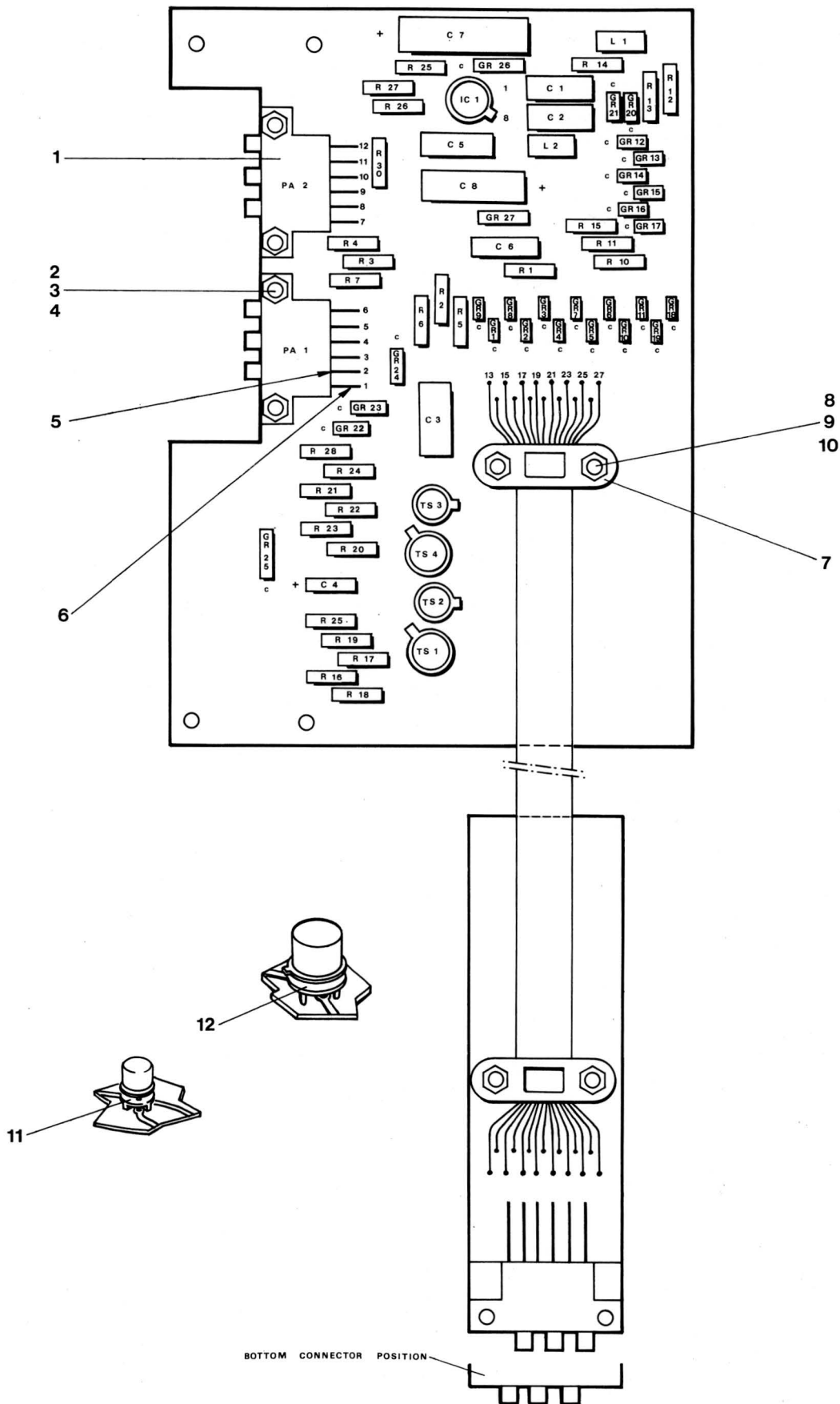
HEAD ASSY (LOWER)



**HEAD ASSY, UPPER
HEAD ASSY, LOWER**

Item number	Part number	Description	Quantity per assembly	
	5122 298 31100	Head Assy, upper		Ref.
	5122 297 81100	Head Assy, lower		Ref.
1	1222 100 98243	Double face mylar tape	a/r	a/r
2	5122 211 81100	Flexible printed wiring	1	1
3	2422 032 00278	Terminal, Faston, receptacle	1	1
4	0722 187 00063	Wire, Stranded 0,38 mm ²	a/r	a/r
5	2411 022 49018	Contact, pin	1	
5	2411 022 49019	Contact, skt		1
6	2522 005 02016	Screw, Pan hd., st., cd., M2x8	2	2
7	2411 022 01051	Connector, 6p	1	1
8	5122 209 61100	Seal grommet	1	1
9	5122 209 41100	Brush spring	1	1
10	5122 298 81100	Brush Assy, upper	1	
11	5122 298 01100	Brush Assy, lower		1
12	1322 503 99703	Adhesive, nr. 13	a/r	a/r

P.C.B.A. READ PRE-AMPLIFIER



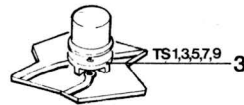
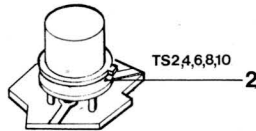
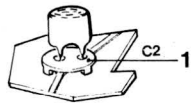
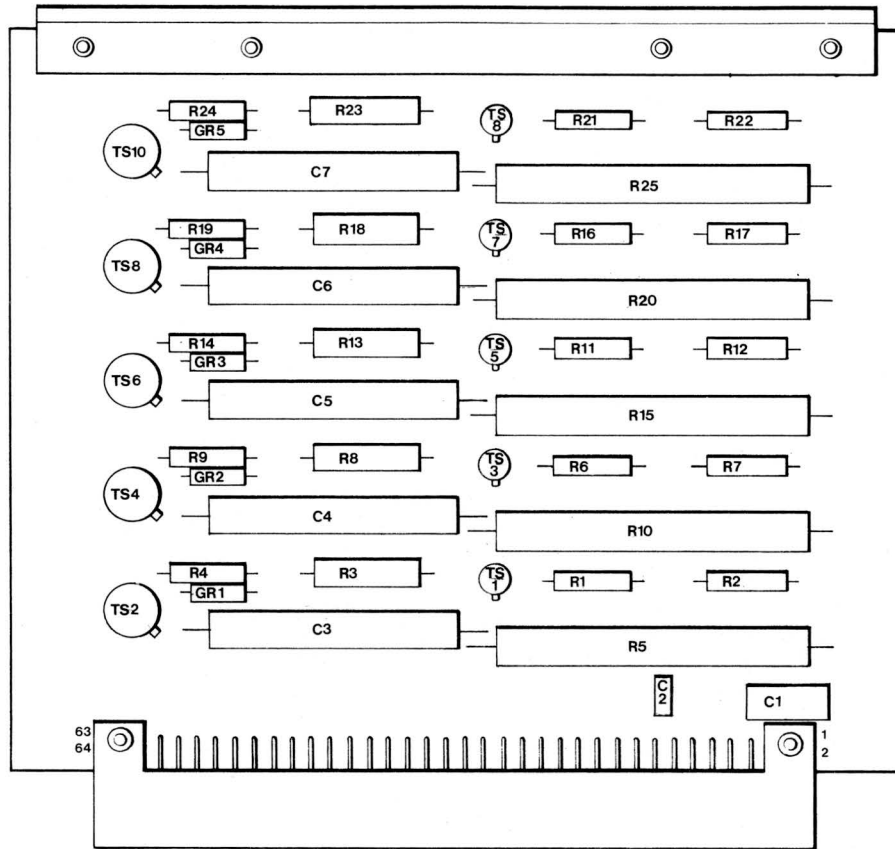
P.C.B.A READ PRE-AMPLIFIER

Item number	Part number	Description	Quantity per assembly
	5132 199 71100	P.C.B.A. Read Pre-Amplifier	
1	2411 022 01051	Connector,6p	4
2	2522 004 02002	Screw,Pan hd.,st.,cd.,M2x5	4
3	2522 401 60005	Nut,Hex.,st.,cd.,M2	4
4	2522 610 15001	Washer,Flat,st.,cd.,M2	4
5	2411 022 49019	Contact,Skt.	12
6	2411 022 49018	Contact,Pin	12
7	5132 104 31100	Cable Clamp	2
8	2522 004 02003	Screw,Pan hd.,st.,cd.,M2x6	4
9	2522 404 02002	Nut,Hex.,st.,cd.,M2	4
10	2522 610 15001	Washer,Flat.st.,cd.,M2	4
11	9390 155 30715	Pad,Transistor,mtg,T018	2
12	4322 026 36770	Pad,Transistor,mtg,T05	2
	2222 344 41473	Capacitor 47nF,250V,C1,2	2
	2222 344 25104	Capacitor 0,1MFD,100V,C3,5,6	3
	2222 143 15338	Capacitor 3,3MFD,15V,C4	1
	2222 121 15189	Capacitor 18MFD,16V,C7,8	1
	9331 012 20112	Diode BAW62,GR1-24	24
	9330 092 70112	Diode,Zener BZY88/C5/V1,GR25	1
	9330 092 90112	Diode,Zener BZY88/C6/V2,GR26,27	2
	9331 661 50112	Integrated Crt, MC1410G,IC1	1
	2422 535 00102	Microchoke 1mH,25%,L1,2	2
	9330 283 60112	Transistor BSX61,TS1,4	2
	9330 116 50112	Transistor BCY56,TS2,3	2

P.C.B.A READ PRE-AMPLIFIER

Item number	Part number	Description	Quantity per assembly
5232	199 71100	P.C.B.A. Read-Pre-Amplifier, cont.	
2322	151 51961	Resistor 196 ohm, 1%, $\frac{1}{4}$ W, R1-7	7
2322	151 56812	Resistor 6,81K ohm, 1%, $\frac{1}{4}$ W, R10, 11	2
2322	151 51003	Resistor 10K ohm, 1%, $\frac{1}{4}$ W, R12, 13	2
2322	151 51001	Resistor 100 ohm, 1%, $\frac{1}{4}$ W, R14, 15 R26, 27	4
2322	151 55622	Resistor 5,62K ohm, 1%, $\frac{1}{4}$ W, R16, 25	2
2322	151 57501	Resistor 750 ohm, 1%, $\frac{1}{4}$ W, R17, 23	2
2322	151 56811	Resistor 681 ohm, 1%, $\frac{1}{4}$ W, R18, 24	2
2322	151 51333	Resistor 13,3K ohm, 1%, $\frac{1}{4}$ W, R19, 22	2
2322	151 57502	Resistor 7,50K ohm, 1%, $\frac{1}{4}$ W, R20, 21	2
2322	151 55621	Resistor 562 ohm, 1%, $\frac{1}{4}$ W, R28	1
2322	151 52371	Resistor 237 ohm, 1%, $\frac{1}{4}$ W, R29, 30	2

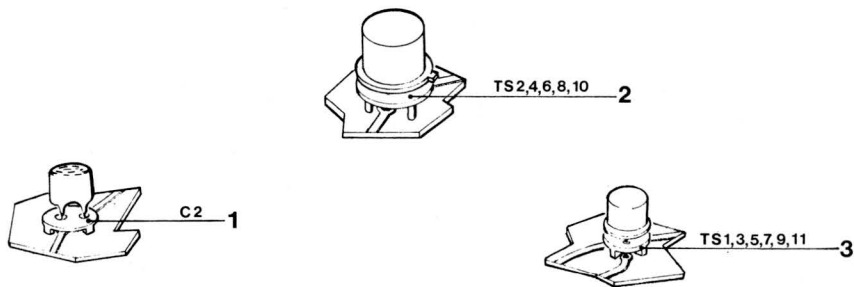
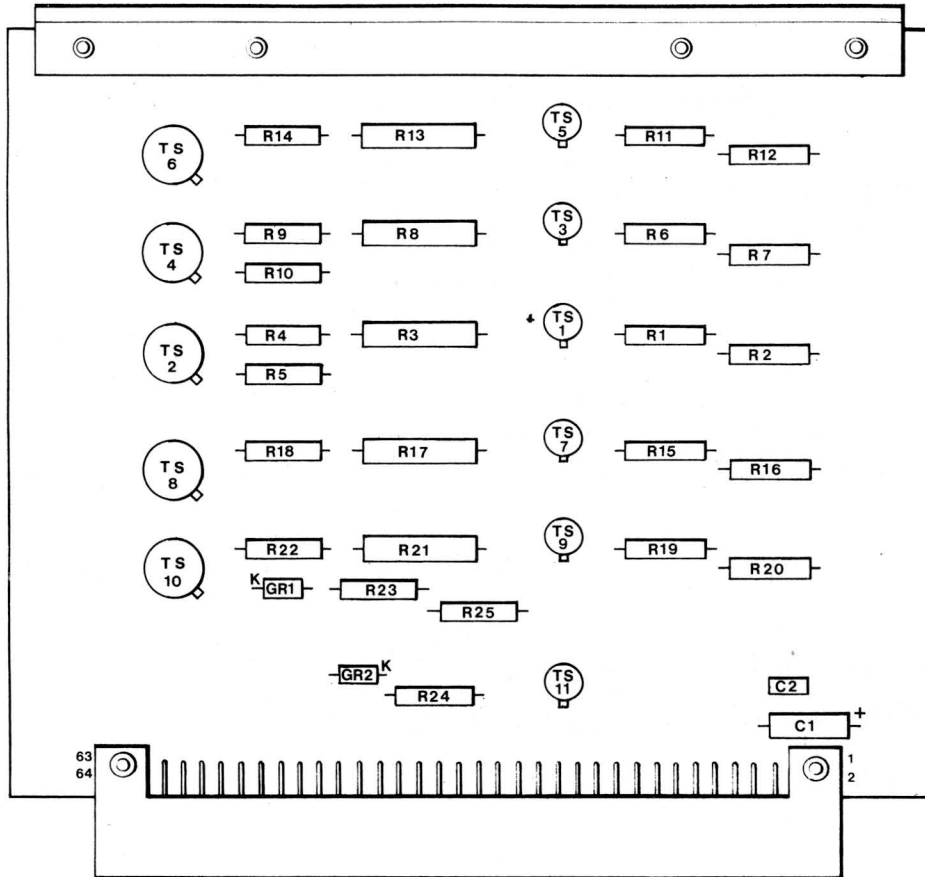
P.C.B.A STEPMOTOR, DETENT DRIVER



P.C.B.A STEPMOTOR,DETENT DRIVER

Item number	Part number	Description	Quantity per assembly
	5132 198 51100	P.C.B.A.Stepmotor Detent Driver	
1	3522 103 77401	Pad,Capacitor,mtg	1
2	4322 026 36770	Pad,Transistor,mtg,T05	5
3	9390 155 30715	Pad,Transistor,mtg,T018	5
	2222 143 15338	Capacitor 3,3MFD,15V,C1	1
	2222 629 01103	Capacitor 10nF,40V,C2	1
	2222 023 18101	Capacitor 100MFD,64V,C3,4,5,6,7	5
	9331 012 20112	Diode BAW26,GR1,2,3,4,5	5
	9330 441 00112	Transistor BCY70,TS1,3,5,7,9	5
	9330 978 00112	Transistor BSW66,TS2,4,6,8,10	5
	2322 151 52152	Resistor 2,15K ohm, $\frac{1}{4}$ W,1%,R1,6,11,16 R21	5
	2322 151 55111	Resistor 511 ohm, $\frac{1}{4}$ W,1%,R2,4,7,9,12 R14,17,19,22,24	10
	2322 151 55119	Resistor 51,1 ohm, $\frac{1}{4}$ W,1%,R3,8,13,18, R23	5
	2322 320 12399	Resistor 39 ohm,10W,1%,R5,10,15,20 R25	5

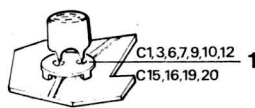
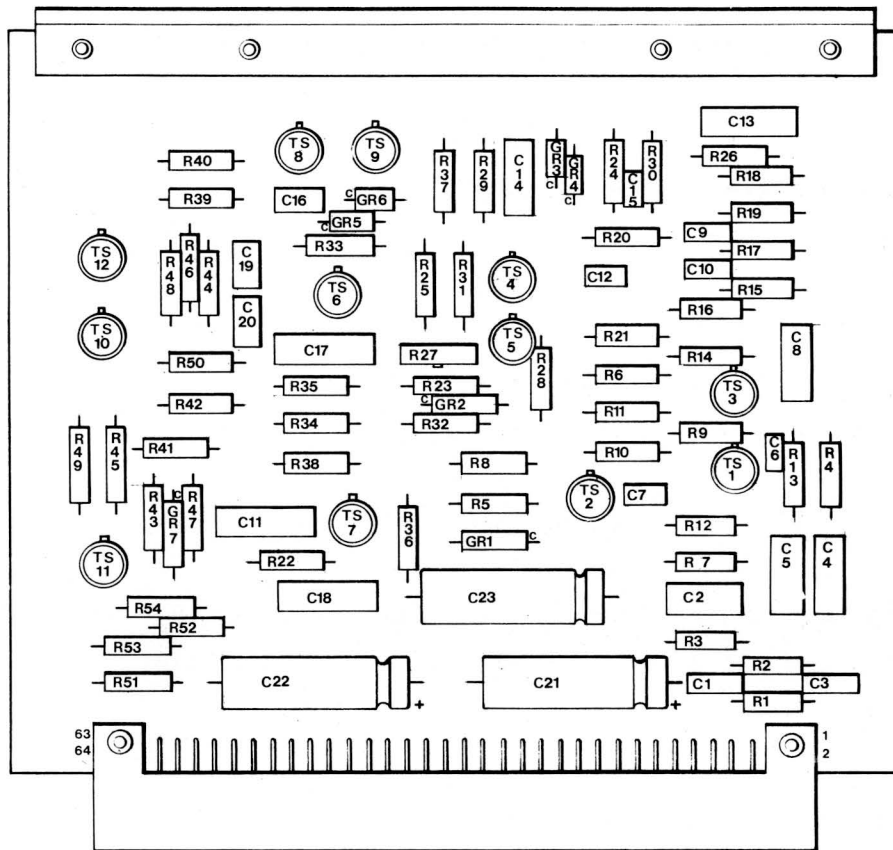
P.C.B.A. LAMP-RELAY-VALVE-DRIV./SHIFT



P.B.C.A LAMP RELAY VALVE DRIV./SHIFT

Item number	Part number	Description	Quantity per assembly
	5132 198 61100	P.C.B.A. Lamp-Relay-Valve-Driver/ Shift	
1	3522 103 77401	Pad,Capacitor,mtg	1
2	4322 026 36770	Pad,Transistor,T05	5
3	9390 155 30715	Pad,Transistor,T018	6
	2222 143 15338	Capacitor 3,3MFD,15V,C1	1
	2222 629 01103	Capacitor 10nF,40V,C2	1
	9331 012 20112	Diode BAW62,GR1,GR2	2
	9330 441 00112	Transistor BCY70,TS1,3,5,7,9	5
	9330 978 00112	Transistor BSW66,TS2,4,6,8,10	5
	9330 116 50112	Transistor BCY56,TS11	1
	2322 151 52152	Resistor 2,15K ohm,1%, $\frac{1}{4}$ W,R1,6,11,15,19 R23,24,25	8
	2322 151 55111	Resistor 511 ohm,1%, $\frac{1}{4}$ W,R2,4,7,9,12 R14,16,18,20,22	10
	2322 152 51101	Resistor 110 ohm,1%, $\frac{1}{2}$ W,R3,8,13,17 R21	5
	2322 151 51009	Resistor 10 ohm,1%, $\frac{1}{4}$ W,R5,10	2

PCBA READ-AMPLIFIER/PHASE CORRECTION



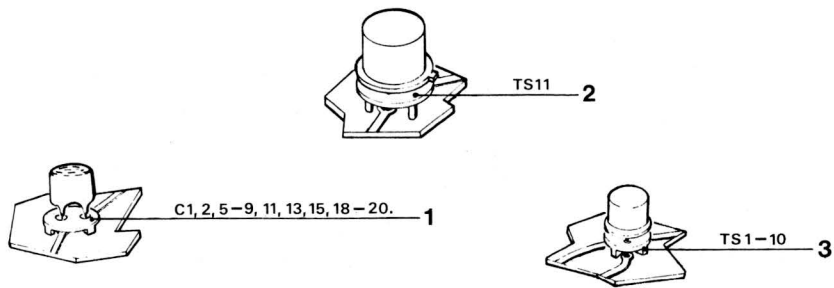
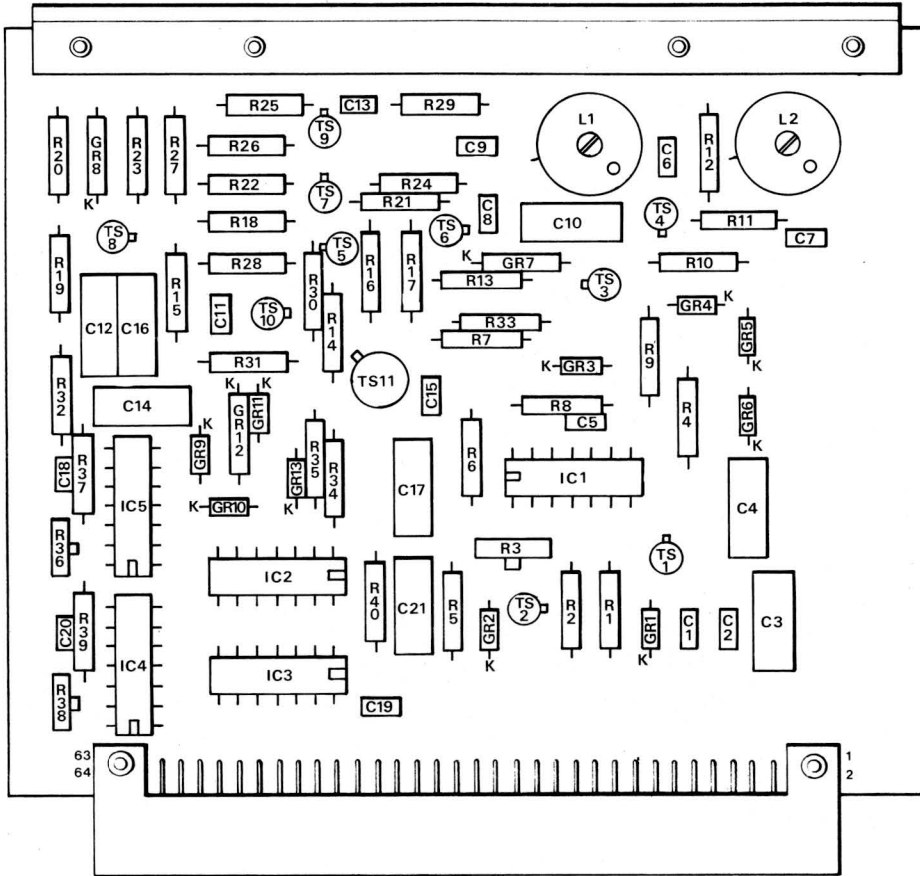
P.B.C.A READ AMPLIFIER/PHASE CORRECTION

Item number	Part number	Description	Quantity per assembly
	5132 198 71100	P.C.B.A.Read-Ampl./Phase-Correction	
1	3522 103 77401	Pad,Capacitor mtg	11
2	9390 155 30715	Pad,Transistor mtg T018	6
	2222 631 10101	Capacitor 100pF,63V,C1,7	2
	2222 344 25104	Capacitor 0,1MFD,100V,C2,11,13	3
	2222 631 10121	Capacitor 120pF,63V,C3	1
	2222 344 41473	Capacitor 0,047MFD,250V,C4,5	2
	2222 631 10339	Capacitor 33pF,63V,C6	1
	2222 344 25154	Capacitor 0,15MFD,100V,C8,14,17,18	4
	2222 631 46181	Capacitor 180pF,63V,C9,10	2
	2222 631 10829	Capacitor 82pF,63V,C12	1
	2222 631 10229	Capacitor 22pF,63V,C15	1
	2222 631 10479	Capacitor 47pF,63V,C16	1
	2222 630 01472	Capacitor 4700pF,100V,C19,20	2
	2222 121 15189	Capacitor 18MFD,16V,C21,22	2
	2222 121 16129	Capacitor 12MFD,25V,C23	1
	9330 092 90112	Diode,Zener BZY88/C6/V2,GR1,7	2
	9330 092 60112	Diode,Zener BZY88/C4/V7,GR2	1
	9331 012 20112	Diode BAW62,GR3,4,5,6	4
	9330 566 60112	Transistor BCY87,TS1,3,4,6,10,12	6
	9330 116 50112	Transistor BCY56,TS2,5,7,8,9,11	6
	2322 151 51001	Resistor 100 ohm,1%, $\frac{1}{4}$ W,R1,2,5 R9,20,21,23,32,43	9
	2322 151 52612	Resistor 2,61K ohm,1%, $\frac{1}{4}$ W,R3,41	2
	2322 151 52152	Resistor 2,15K ohm,1%, $\frac{1}{4}$ W,R4,13 R15,17,34,38,42,50	8

P.C.B.A READ AMPLIFIER/PHASE CORRECTION

Item number	Part number	Description	Quantity per assembly
5132	198 71100	P.C.B.A. Read Ampl./Phase-Correction (cont.)	
2322	151 51622	Resistor 1,62K ohm, 1%, $\frac{1}{4}$ W, R6, 11 R48, 44	4
2322	151 51961	Resistor 196 ohm, 1%, $\frac{1}{4}$ W, R7, 10, 12	3
2322	151 57501	Resistor 750 ohm, 1%, $\frac{1}{4}$ W, R8	1
2322	151 53832	Resistor 3,83K ohm, 1%, $\frac{1}{4}$ W, R14, 16	2
2322	151 53161	Resistor 316 ohm, 1%, $\frac{1}{4}$ W, R18, 19 R29, 35	4
2322	151 51782	Resistor 1,78K ohm, 1%, $\frac{1}{4}$ W, R22	1
2322	151 52372	Resistor 2,37K ohm, 1%, $\frac{1}{4}$ W, R24, 25 R30, 31, 51, 53	6
2322	151 51002	Resistor 1K ohm, 1%, $\frac{1}{4}$ W, R26, 33, 37 R52, 54	5
2322	360 00059	Resistor, Var., 220 ohm, 20%, R27	1
2322	151 51102	Resistor 1,1K ohm, 1%, $\frac{1}{4}$ W, R28, 47	2
2322	151 56811	Resistor 681 ohm, 1%, $\frac{1}{4}$ W, R36	1
2322	151 53162	Resistor 3,16K ohm, 1%, $\frac{1}{4}$ W, R39, 40	2
2322	151 55119	Resistor 51,1 ohm, 1%, $\frac{1}{4}$ W, R45, 49	2
2322	151 53831	Resistor 383 ohm, 1%, $\frac{1}{4}$ W, R46	1

P.C.B.A READ RECOVERY



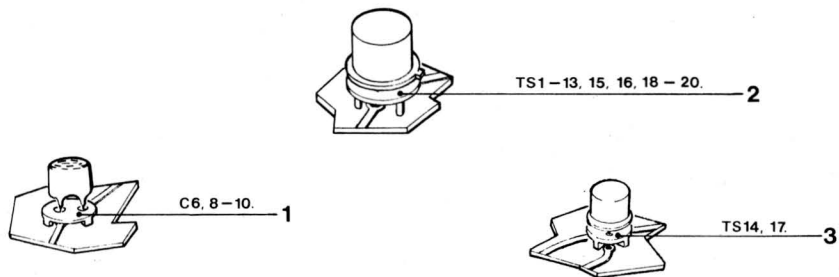
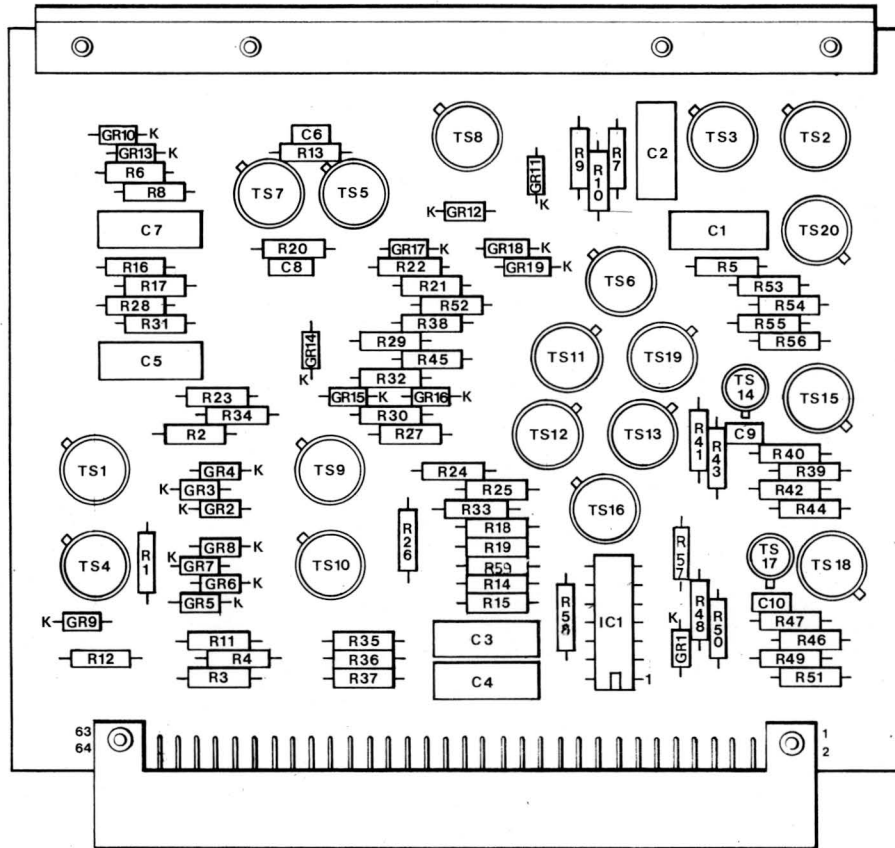
P.C.B.A READ RECOVERY

Item number	Part number	Description	Quantity per assembly
	5132 198 91100	P.C.B.A. Read Recovery	
1	3522 103 77401	Pad,Capacitor mtg	13
2	4322 026 36770	Pad,Transistor mtg,T05	1
3	9390 155 30715	Pad,Transistor mtg,T018	10
	2222 631 10121	Capacitor,120pF,63V,C1,2,20	3
	2222 344 25154	Capacitor,0,15MFD,100V,C3,4,10,12 C14,16,17,21	8
	2222 631 10399	Capacitor,39pF,63V,C5	1
	2222 631 10101	Capacitor,100pF,63V,C6,8,18	3
	2222 631 10829	Capacitor,82pF,63V,C7,9	2
	2222 631 58271	Capacitor,270pF,63V,C11,13	2
	2222 630 01472	Capacitor,4,7nF,100V,C15,19	2
	9331 012 20112	Diode BAW62,GR1-6,9,10,11,13	6
	9330 093 20112	Diode,Zener BZY88/C8/V2,GR7	1
	9330 092 60112	Diode,Zener BZY88/C4/V7,GR8,12	2
	9331 518 20112	Integrated Crt,SN74121N,IC1,4,5	3
	9330 504 70112	Integrated Crt,SN7474N,IC2	1
	9330 500 70112	Integrated Crt,SN7400N,IC3	1
	5132 197 21100	Choke coil 50mH,L1,2	2
	9330 441 00112	Transistor BCY70,TS1,2	2
	9330 116 50112	Transistor BCY56,TS3,6,8,10	4
	9330 116 40112	Transistor BFY90,TS4,5,7,9	4
	9330 226 40112	Transistor 2N2905,TS11	1
	2322 151 53161	Resistor 316 ohm, 1%, $\frac{1}{4}$ W,R1,5,23	3

P.C.B.A READ RECOVERY

Item number	Part number	Description	Quantity per assembly
5132	198 91100	P.C.B.A. Read Recovery, cont.	
2322	151 51009	Resistor 10 ohm, 1%, $\frac{1}{4}$ W, R2	1
2322	360 00058	Resistor, Var., 100 ohm, 1%, R3	1
2322	151 52372	Resistor 2,37K ohm, 1%, $\frac{1}{4}$ W, R4, 7, 14	3
2322	151 54223	Resistor 42,2K ohm, 1%, $\frac{1}{4}$ W, R6	1
2322	151 51002	Resistor 1K ohm, 1%, $\frac{1}{4}$ W, R8, 37, 39	3
2322	151 51003	Resistor 10K ohm, 1%, $\frac{1}{4}$ W, R10, 12	2
2322	151 51961	Resistor 196 ohm, 1%, $\frac{1}{4}$ W, R11	1
2322	151 51332	Resistor 1,33K ohm, 1%, $\frac{1}{4}$ W, R16, 34	2
2322	151 51001	Resistor 100 ohm, 1%, $\frac{1}{4}$ W, R17, 20, 29	3
2322	151 52152	Resistor 2,15K ohm, 1%, $\frac{1}{4}$ W, R18, 26	
		R33, 40	4
2322	151 53162	Resistor 3,16K ohm, 1%, $\frac{1}{4}$ W, R19, 27, 30	3
2322	151 51622	Resistor 1,62K ohm, 1%, $\frac{1}{4}$ W, R21, 24	2
2322	151 55119	Resistor 51,1 ohm, 1%, $\frac{1}{4}$ W, R22, 25	2
2322	151 57501	Resistor 750 ohm, 1%, $\frac{1}{4}$ W, R32	1
2322	151 52151	Resistor 215 ohm, 1%, $\frac{1}{4}$ W, R9, 13	
		R15, 28, 31, 35	6
2322	360 00061	Resistor, Var., 2,2K ohm, 1%, R36, R38	2

PC.B.A WRITE-ERASE -AMPL./SAFETY



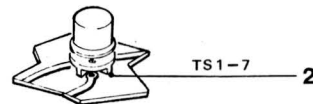
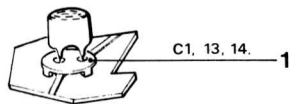
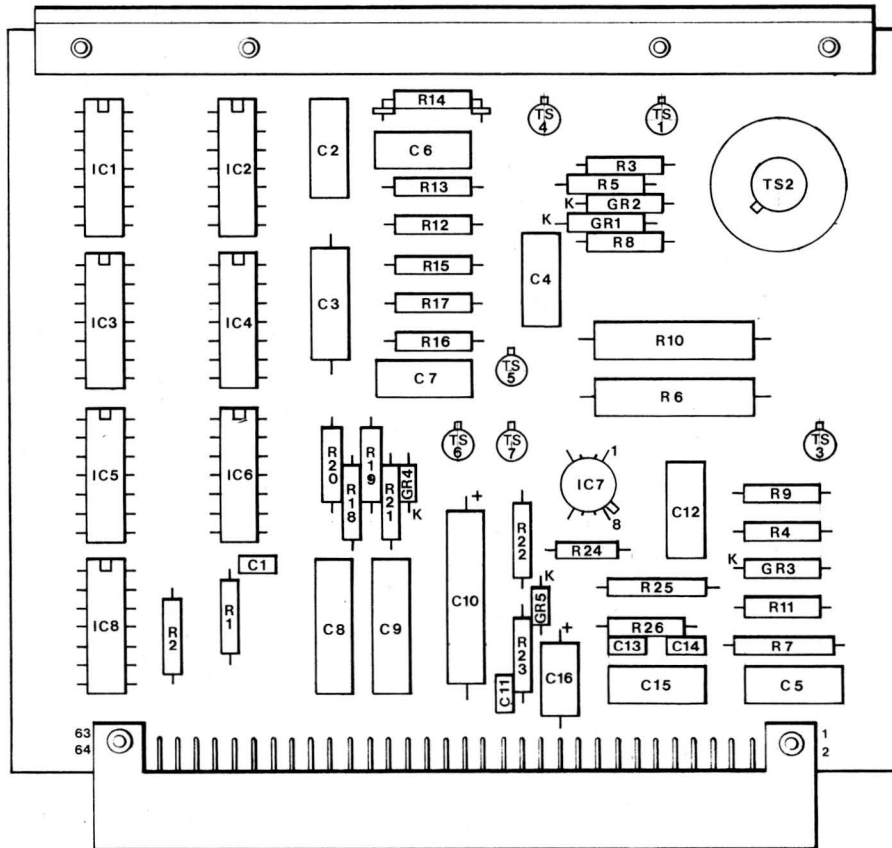
P.C.B.AWRITE-ERASE-AMPL./SAFETY

Item number	Part number	Description	Quantity per assembly
	5132 196 31100	P.C.B.A. Write-Erase-Ampl./Safety	
1	3522 103 77401	Pad,Capacitor,mtg	4
2	4322 026 36770	Pad,Capacitor,mtg, T05	18
3	9390 155 30715	Pad,Transistor,mtg, T018	2
	2222 344 25104	Capacitor,0,1MFD,100V,C1,2,3	3
	2222 344 25224	Capacitor,0,22MFD,C4,5	2
	2222 631 46181	Capacitor,180pF,63V,C6,8	2
	2222 344 25154	Capacitor,0,15MFD,100V,C7	1
	2222 631 70391	Capacitor,390pF,63V,C9,10	2
	9331 012 20112	Diode BAW62,GR1-19	19
	9330 504 70112	Integrated Crt,SN7474N,IC1	1
	9330 226 40112	Transistor 2N2905,TS1,4,6,8 TS13,16,19	7
	9330 216 10112	Transistor BF178,TS2,3,9-12	6
	9330 116 50112	Transistor BCY56,TS5,7,14,17	4
	9330 283 60112	Transistor BSX61,TS15,18,20	3
	2322 151 51002	Resistor 1K ohm,1%, $\frac{1}{4}$ W,R1,2,5,6 R7,8,39,43,46,50,55	11
	2322 151 51333	Resistor 13,3K ohm,1%, $\frac{1}{4}$ W,R3	1
	2322 151 53162	Resistor 3,16K ohm,1%, $\frac{1}{4}$ W,R4	1
	2322 151 51001	Resistor 100 ohm,1%, $\frac{1}{4}$ W,R9,10,21 R22,26,40,47	7
	2322 151 52152	Resistor 2,15K ohm,1%, $\frac{1}{4}$ W,R11,57,58,59	4
	2322 151 53482	Resistor 3,48K ohm,1%, $\frac{1}{4}$ W,R12	1
	2322 151 52162	Resistor 2,61K ohm,1%, $\frac{1}{4}$ W,R13,20	2

P.C.B.A WRITE-ERASE-AMPL./SAFETY

Item number	Part number	Description	Quantity per assembly
5132	196 31100	P.C.B.A. Write-Erase-Ampl./Safety (cont.)	
2322	151 53832	Resistor 3,83K ohm, 1%, $\frac{1}{4}$ W, R14, 15 R18, 19, 24, 25	6
2322	151 53161	Resistor 316 ohm, 1%, $\frac{1}{4}$ W, R16, 17 R38, 45	4
2322	151 51004	Resistor 100K ohm, 1%, $\frac{1}{4}$ W, R23	1
2322	151 56199	Resistor 61,9 ohm, 1%, $\frac{1}{4}$ W, R27	1
2322	151 52153	Resistor 21,5K ohm, 1%, $\frac{1}{4}$ W, R28 R31, 34	3
2322	151 51961	Resistor 196 ohm, 1%, $\frac{1}{4}$ W, R29, 30 R32, 33, 35, 36, 37	7
2322	151 52611	Resistor 261 ohm, 1%, $\frac{1}{4}$ W, R41, 42 R48, 49	4
2322	151 52372	Resistor 2,37K ohm, 1%, $\frac{1}{4}$ W, R44, 51 R56	3
2322	151 52371	Resistor 237 ohm, 1%, $\frac{1}{4}$ W, R52	1
2322	151 55111	Resistor 511 ohm, 1%, $\frac{1}{4}$ W, R53	1
2322	151 54651	Resistor 464 ohm, 1%, $\frac{1}{4}$ W, R54	1

P.C.B.A SAFETY/SUPPLY/CLOCK/SPEED '0'



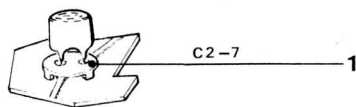
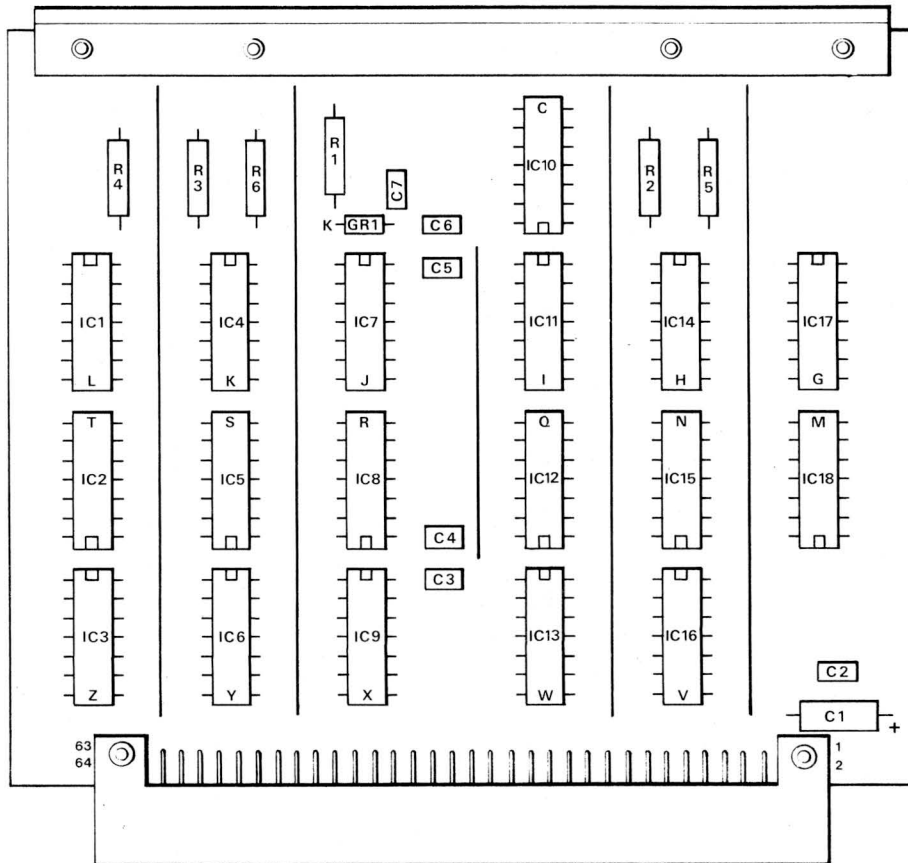
P.C.B.A SAFETY/SUPPLY/CLOCK/SPEED '0

Item number	Part number	Description	Quantity per assembly
5132	199 11100	P.C.B.A. Safety/Supply/Clock/Speed '0'	
1	3522 103 77401	Pad,Capacitor mtg	4
2	9390 155 30715	Pad,Transistor,T018	6
3	4322 026 36770	Pad,Transistor,T05	1
4	2422 487 89016	Heatsink,Transistor	1
	2222 631 10229	Capacitor,22pF,63V,C1	1
	2222 344 25104	Capacitor,0,1MFD,100V,C2,4,5,7,12,15	6
	2222 341 89333	Capacitor, 33nF,63V,C3	1
	2222 344 25683	Capacitor,68nF,100V,C6	1
	2222 344 25684	Capacitor,0,68MFD,100V,C8,9	2
	2222 101 13209	Capacitor,20 MFD,6,4V,C10	1
	2222 630 01102	Capacitor,1nF,100V,C11,14	2
	2222 631 09688	Capacitor,6,8pF,63V,C13	1
	2222 143 15338	Capacitor,3,3MFD,15V,C16	1
	9330 092 80112	Diode,Zener BZY88/C5/V6,GR1,2,3	3
	9331 012 20112	Diode,BAW,62,GR4,5	2
	9330 500 70112	Integrated Crt,SN7400N,IC1,5,6,8	4
	9330 499 50112	Integrated Crt,SN7430N,IC3	1
	9331 661 60112	Integrated Crt,TNG8014,IC2	1
	9331 094 30112	Integrated Crt,SN7404,IC4	1
	9331 661 40112	Integrated Crt,MC1710 CG,IC7	1
	9330 116 50112	Transistor BCY56,TS1	1
	9330 283 50112	Transistor BSX60,TS2	1
	9330 441 20112	Transistor BCY72,TS3,4,6,7	4
	9330 116 60112	Transistor BCY57,TS5	1

P.C.B.A SAFETY/SUPPLY/CLOCK/SPEED '0'

Item number	Part number	Description	Quantity per assembly
5132	199 11100	P.C.B.A. Safety/Supply/Clock/Speed '0' Cont.	
2322	151 51332	Resistor 1,33K ohm,1%, $\frac{1}{4}$ W,R20	1
2322	151 54642	Resistor 4,64K ohm,1%, $\frac{1}{4}$ W,R1	1
2322	151 53482	Resistor 3,48K ohm,1%, $\frac{1}{4}$ W,R2	1
2322	151 56191	Resistor 619 ohm,1%, $\frac{1}{4}$ W,R3	1
2322	151 52871	Resistor 287 ohm,1%, $\frac{1}{4}$ W,R4,9	2
2322	151 51002	Resistor 1K ohm,1%, $\frac{1}{4}$ W,R5,8,17	3
2322	151 55112	Resistor 5,11K ohm,1%, $\frac{1}{4}$ W,R12,18	2
2322	151 51001	Resistor 100 ohm,1%, $\frac{1}{4}$ W,R11	1
2322	320 31629	Resistor 62 ohm,1%,5,5W,R6,10	2
2322	152 52371	Resistor 237 ohm,1%, $\frac{1}{2}$ W,R7	1
2322	151 51473	Resistor 14,7K ohm,1%, $\frac{1}{4}$ W,R13	1
2322	151 5....	Resistor,Tuning,rx,1%, $\frac{1}{4}$ W,R14	1
2322	151 51003	Resistor 10K ohm,1%, $\frac{1}{4}$ W,R15	1
2322	151 54221	Resistor 422 ohm,1%, $\frac{1}{4}$ W,R16	1
2322	151 53161	Resistor 316 ohm,1%, $\frac{1}{4}$ W,R19	1
2322	151 55119	Resistor 51,1 ohm,1%, $\frac{1}{4}$ W,R21,22	2
2322	151 55111	Resistor 511 ohm,1%, $\frac{1}{4}$ W,R23,26	2
2322	151 51004	Resistor 100K ohm,1%, $\frac{1}{4}$ W,R24	1
2322	151 51104	Resistor 110K ohm,1%, $\frac{1}{4}$ W,R25	1

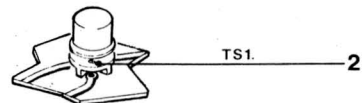
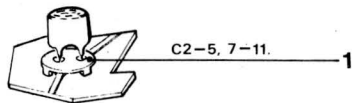
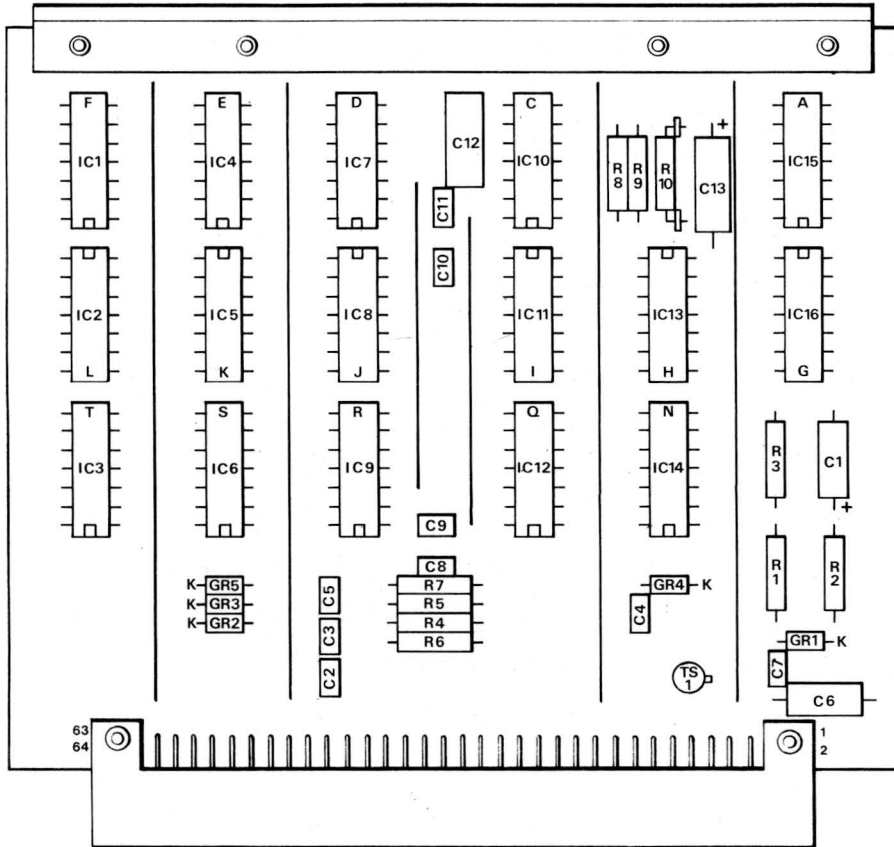
P.C.B.A. STEPMOTOR-DETENT-CONTROL



P.B.C.A STEPMOTOR-DETENT-CONTROL

Item number	Part number	Description	Quantity per assembly
	5132 199 21100	P.C.B.A. Stepmotor/Detent/Control	
1	3522 103 77401	Pad,Capacitor,mtg	6
	2222 143 15338	Capacitor 3,3MFD,15V,C1	1
	2222 629 01103	Capacitor 10nF,40V,C2-C7	6
	9331 012 20112	Diode BAW62,GR1	1
	9330 806 20112	Integrated Crt. SN7402N,IC7,8	2
	9330 500 70112	Integrated Crt,SN7400N,IC1,2 IC9,13,16,17	6
	9330 500 30112	Integrated Crt,SN7410N,IC3,5 IC6,12,15,18	6
	9331 662 90112	Integrated Crt,N8281A,IC4	1
	9330 663 60112	Integrated Crt,N8284A,IC10	1
	9330 663 10112	Integrated Crt,N8250A,IC11,14	2
	2322 151 52152	Resistor 2,15K ohm,1%, $\frac{1}{4}$ W,R1-6	6

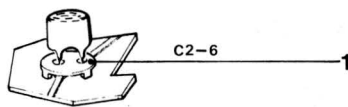
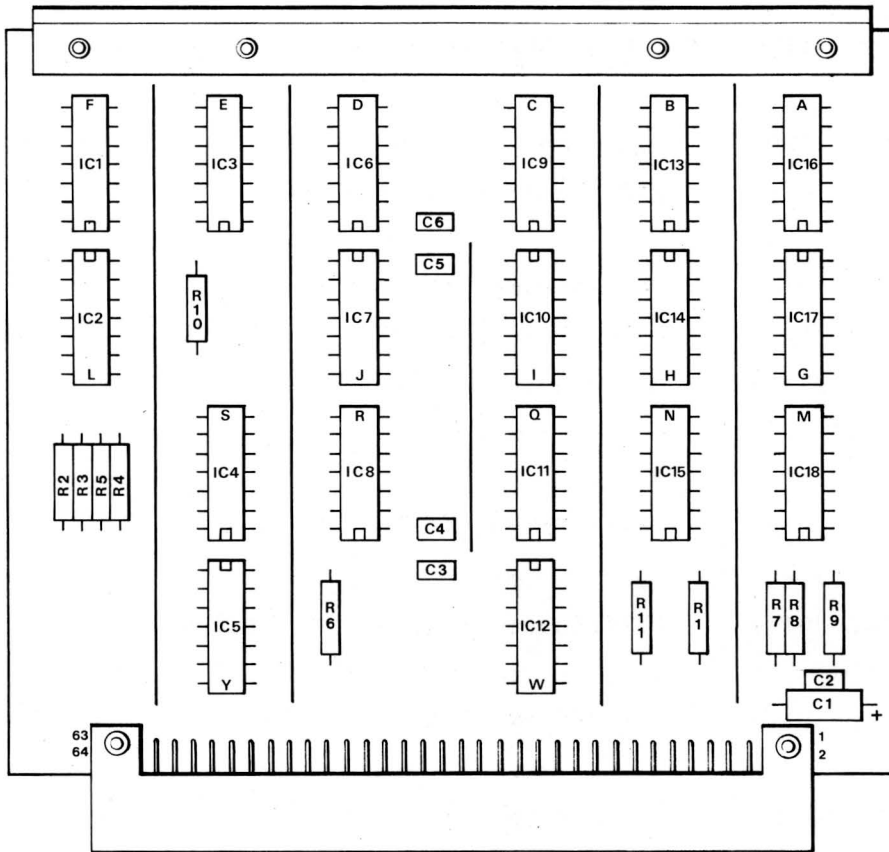
P.C.B.A START-STOP-CONTROL/SAFETY



START-STOP-CONTROL/SAFETY

Item number	Part number	Description	Quantity per assembly
	5132 199 31100	P.C.B.A. Start/Stop/Control/Safety	
1	3522 103 77401	Pad,Capacitor mtg	9
2	9390 155 30715	Pad,Transistor,mtg,T018	1
	2222 143 15338	Capacitor,3,3MFD,15V,C1,6	2
	2222 629 01103	Capacitor 10nF,40V,C2-5,C7-11	9
	2222 344 25104	Capacitor 0,1MFD,100V,C12	1
	2222 143 14478	Capacitor 4,7MFD,10V,C13	1
	9331 012 20112	Diode BAW62,GR1-5	5
	9330 500 70112	Integrated Crt,SN7400N,IC1,3,4 IC9,16	5
	9330 500 30112	Integrated Crt,SN7410,IC2,5,8 IC13	4
	9330 499 90112	Integrated Crt,SN7420,IC6	1
	9331 094 30112	Integrated Crt,SN7404,IC7,12,14	3
	9331 518 20112	Integrated Crt,SN74121N,IC10,15	2
	9330 504 70112	Integrated Crt,SN7474N,IC11	1
	9330 116 50112	Transistor BCY56,TS1	1
	2322 151 56813	Resistor 68,1K ohm,1%, $\frac{1}{4}$ W,R1,2	2
	2322 151 51333	Resistor 13,3K ohm,1%, $\frac{1}{4}$ W,R3	1
	2322 151 52152	Resistor 2,15K ohm,1%, $\frac{1}{4}$ W,R4-8	5
	2322 151 52873	Resistor 28,7K ohm,1%, $\frac{1}{4}$ W,R10	1
	2322 151	Resistor,Tuning Rx ohm,1%, $\frac{1}{4}$ W,R9	1

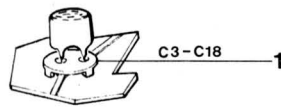
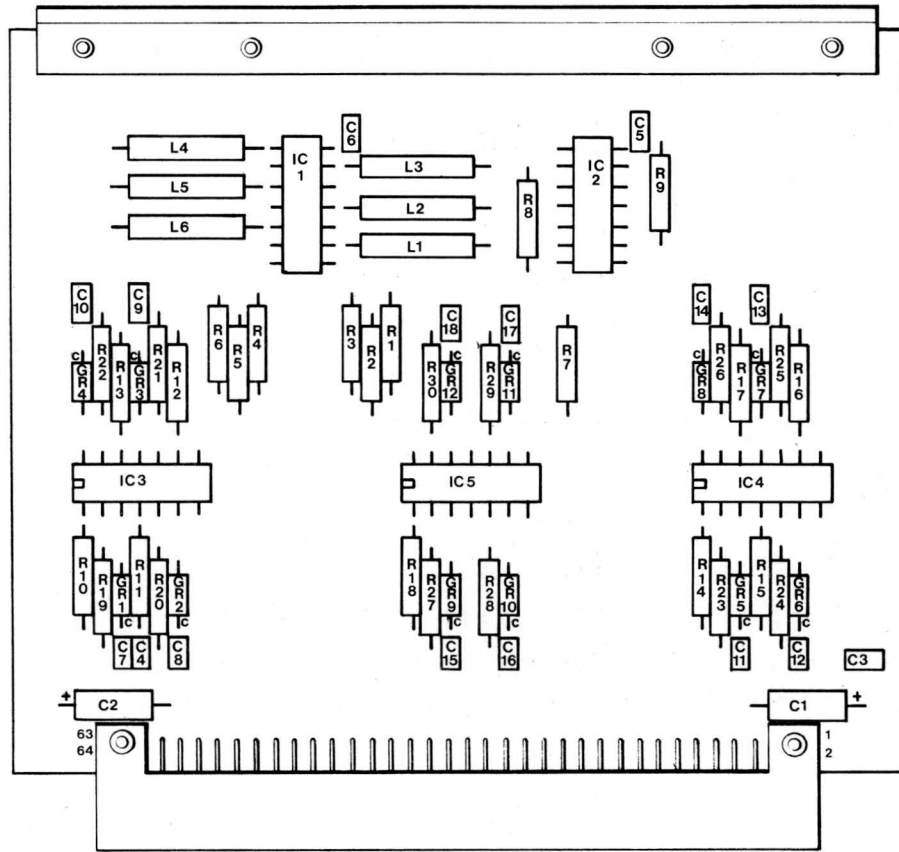
P.C.B.A REGISTER/VARIABLE-SPEED



P.C.B.A REGISTER/VARIABLE SPEED

Item number	Part number	Description	Quantity per assembly
	5132 199 51100	P.C.B.A. Register Variable Speed	
1	3522 103 77401	Pad,Capacitor,mtg	5
	2222 143 15338	Capacitor,3,3MFD,15V,C1	1
	2222 629 01103	Capacitor,10nF,40V,C2-6	5
	9330 500 70112	Integrated Crt,SN7400N,IC,1,1 IC13,15,17	
	9330 499 90112	Integrated Crt.SN7420N,IC2,10	2
	9330 504 70112	Integrated Crt,SN7474N,IC3	1
	9330 500 30112	Integrated Crt,SN7410N,IC4,6,16	3
	9331 622 90112	Integrated Crt,N8281A,IC7,9,11,18	4
	9331 094 30112	Integrated Crt,SN7404N,IC8,12	2
	9331 663 20112	Integrated Crt,SN74107N,IC14	1
	2322 151 52152	Resistor 2,15K ohm,R1-11	11

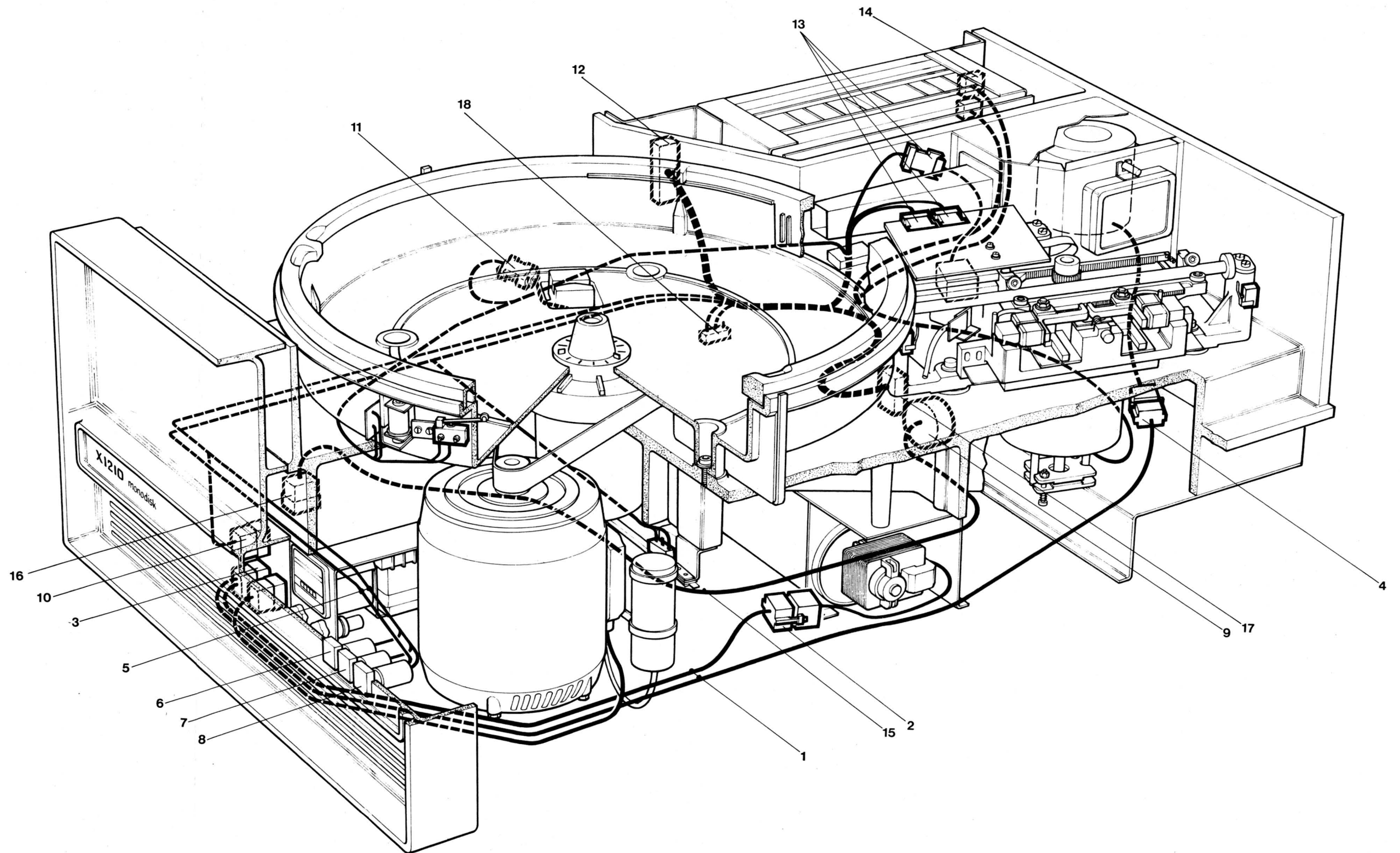
P.C.B.A. TRANSMITTER RECEIVER



P.C.B.A TRANSMITTER-RECEIVER

Item number	Part number	Description	Quantity per assembly
	5132 199 6110	P.C.B.A. Transmitter-Receiver	
1	3522 103 77401	Pad,Capacitor mtg	16
	2222 143 15338	Capacitor 3,3 MFD,15V,C1,2	2
	2222 629 01103	Capacitor 10nF,40V,C3,4,5,6	4
	2222 630 01821	Capacitor 820pF,100V,C7-C18	12
	9331 012 20112	Diode BAW62,GR1-GR12	12
	9331 094 30112	Integrated Crt SN7404N,IC1	1
	9330 501 10112	Integrated Crt SN7440N,IC2	1
	9330 500 70112	Integrated Crt SN7400N,IC3,4,5	3
	2422 535 00109	Microchoke 10mH,25%,L1-L6	6
	2322 151 56819	Resistor 68,1 ohm,1%, $\frac{1}{4}$ W,R1-R6	6
	2322 151 53839	Resistor 38,3 ohm,1%, $\frac{1}{4}$ W,R7	1
	2322 151 52611	Resistor 261 ohm,1%, $\frac{1}{4}$ W,R8	1
	2322 151 53481	Resistor 348 ohm,1%, $\frac{1}{4}$ W,R9	1
	2322 151 55112	Resistor 5,11 ohm,1%, $\frac{1}{4}$ W,R10-R18	9
	2322 151 51781	Resistor 178 ohm,1%, $\frac{1}{4}$ W,R19-R30	12

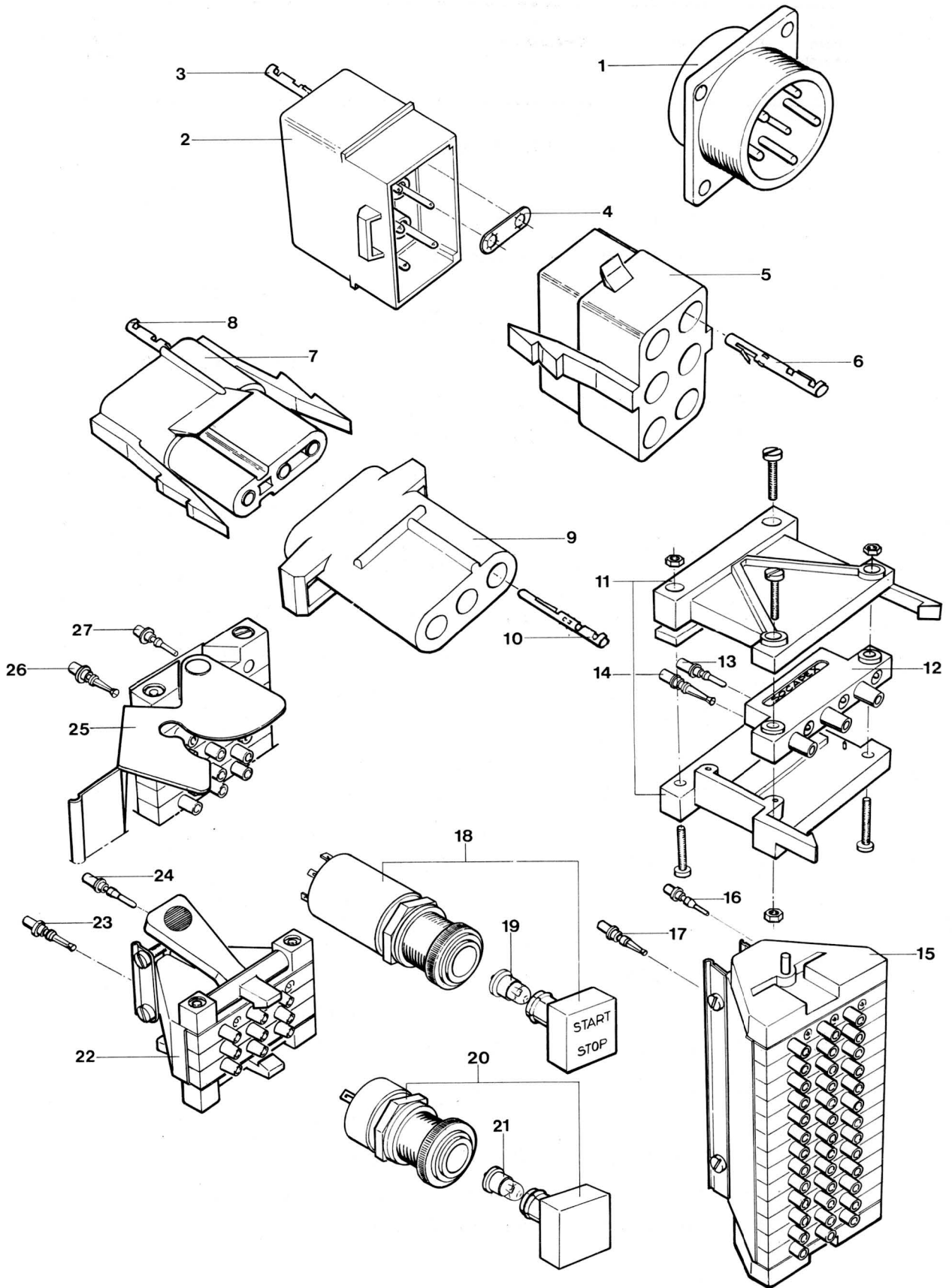
WIRED BASE PLATE ASSY



WIRED BASE PLATE ASSY

Item number	Part number	Description	Quantity per assembly
	5122 294 21100	Wired Base Plate Assy	
1	5122 295 81100	Ventilator Cable Assy	1
2	2422 034 10112	Connector 3p, Breakdown page 8,36	1
3	2422 034 10094	Connector 6p, Breakdown page 8,36	1
4	2422 034 10112	Connector 3p,Ref.	1
5	5122 294 31100	Cable Loom,Base Plate	1
6	5122 021 10551	Indicator Unit, Breakdown page 8,36	1
7	5122 021 10531	Indicator Unit, Breakdown page 8,36	1
8	5122 021 10541	Push button Switch Unit Breakdown page 8,6	1
9	2411 022 01034	Connector 78p Breakdown page 8,36	1
10	2422 034 10094	Connector 6p,Ref	1
11	2411 022 01047	Connector 6p, Breakdown page 8,36	1
12	2411 022 01031	Connector 102p, Breakdown page 8,36	1
13	2411 022 01047	Connector 6p,Ref.	1
14	2411 022 01001	Connector 18p, Breakdown page 8,36	1
15	5122 296 01100	Mains Loom	1
16	2422 034 10095	Connector 6p, Breakdown page 8,36	1
17	2422 026 00031	Connector 5p, Breakdown page 8,36	1
18	5122 230 81100	Safety Switch	1

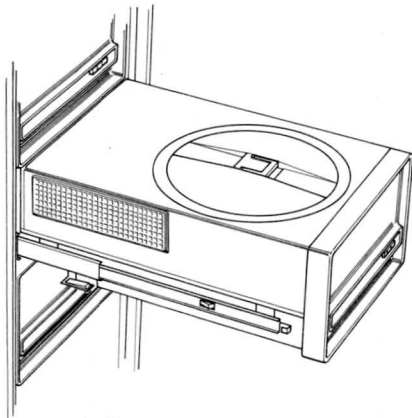
CONNECTOR ASSIES



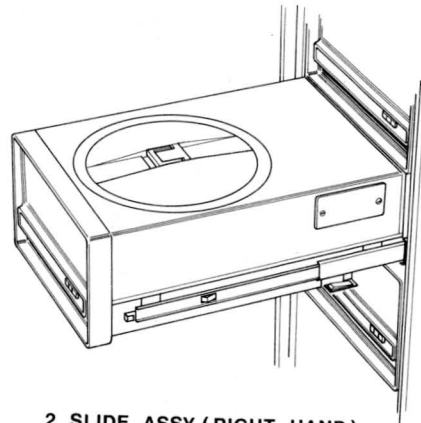
CONNECTOR ASSIES

Item number	Part number	Description	Quantity per assembly
Connector Assies			
1	2422 026 00031	Connector,5p	a/r
2	2422 034 10094	Connector,6p	a/r
3	2422 034 10165	Contact, pin	a/r
4	2422 032 00571	Tab,2 way	a/r
5	2422 034 10095	Connector, 6p	a/r
6	2422 034 10166	Contact,skt	a/r
7	2422 034 10112	Connector,3p	a/r
8	2422 034 10166	Contact,skt	a/r
9	2422 034 10111	Connector, 3p	a/r
10	2422 034 10165	Contact pin	a/r
11	2411 021 01061	Housing,Connector	a/r
12	2411 022 10047	Connector,6p	a/r
13	2411 022 49018	Contact, pin	a/r
14	2411 022 49019	Contact,skt	a/r
15	2411 022 01031	Connector,102p	a/r
16	2411 022 49018	Contact,pin	a/r
17	2411 022 49019	Contact,skt	a/r
18	5122 021 10541	Push button,Switch Unit	
19	9234 027 21703	Lamp bulb,28V,40mA	a/r
20	5122 021 10541	Indicator Unit	
20	5122 021 10551	Indicator Unit	
21	9234 627 21703	Lamp bulb,28V,40mA	a/r
22	2411 022 01001	Connector,18p	a/r
23	2411 022 49019	Contact,skt	a/r
24	2411 022 49018	Contact,pin	a/r
25	2411 022 01034	Connector,78p	a/r
26	2411 022 49019	Contact,skt	a/r
27	2411 022 49018	Contact,pin	a/r

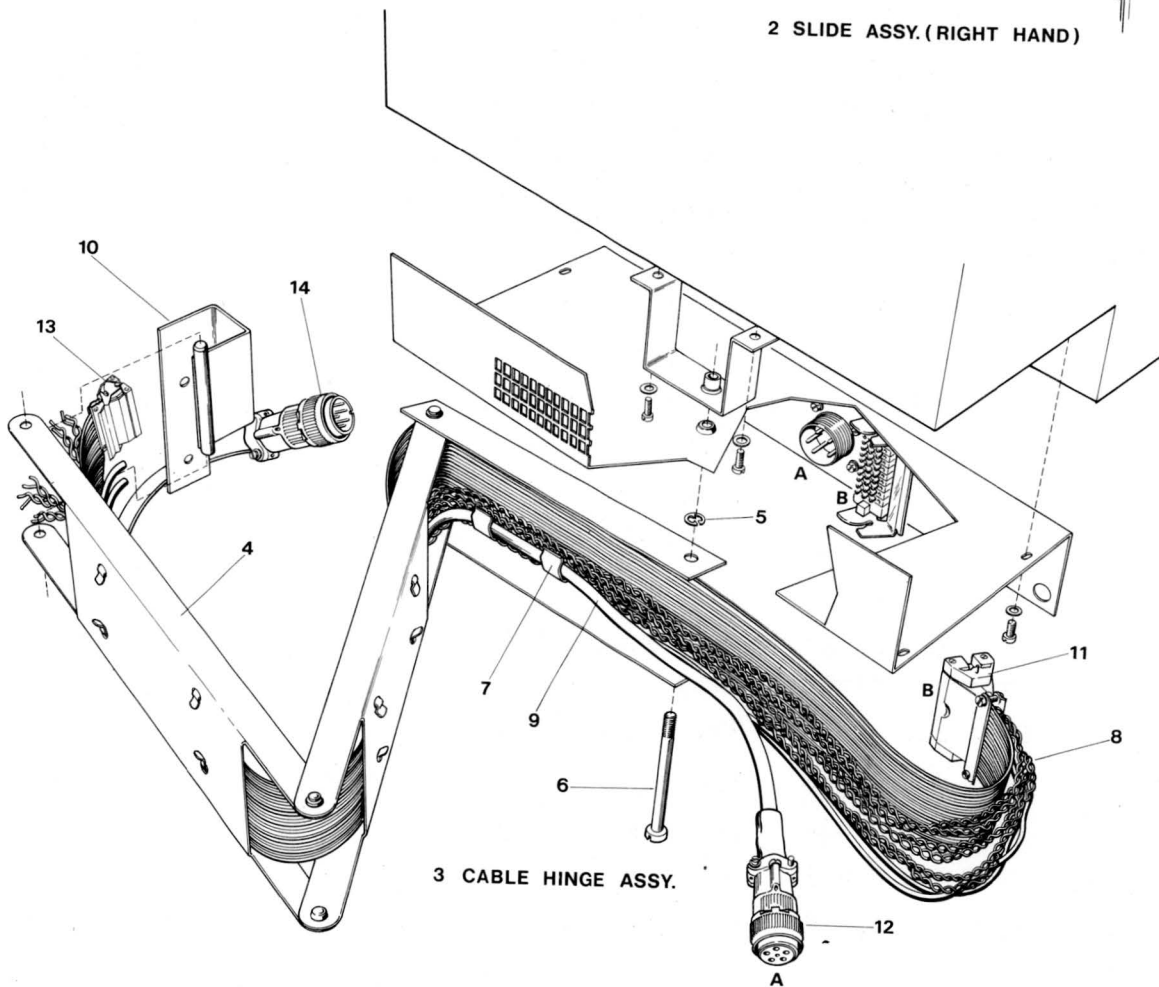
ACCESSORIES



1 SLIDE ASSY.(LEFT HAND)



2 SLIDE ASSY.(RIGHT HAND)

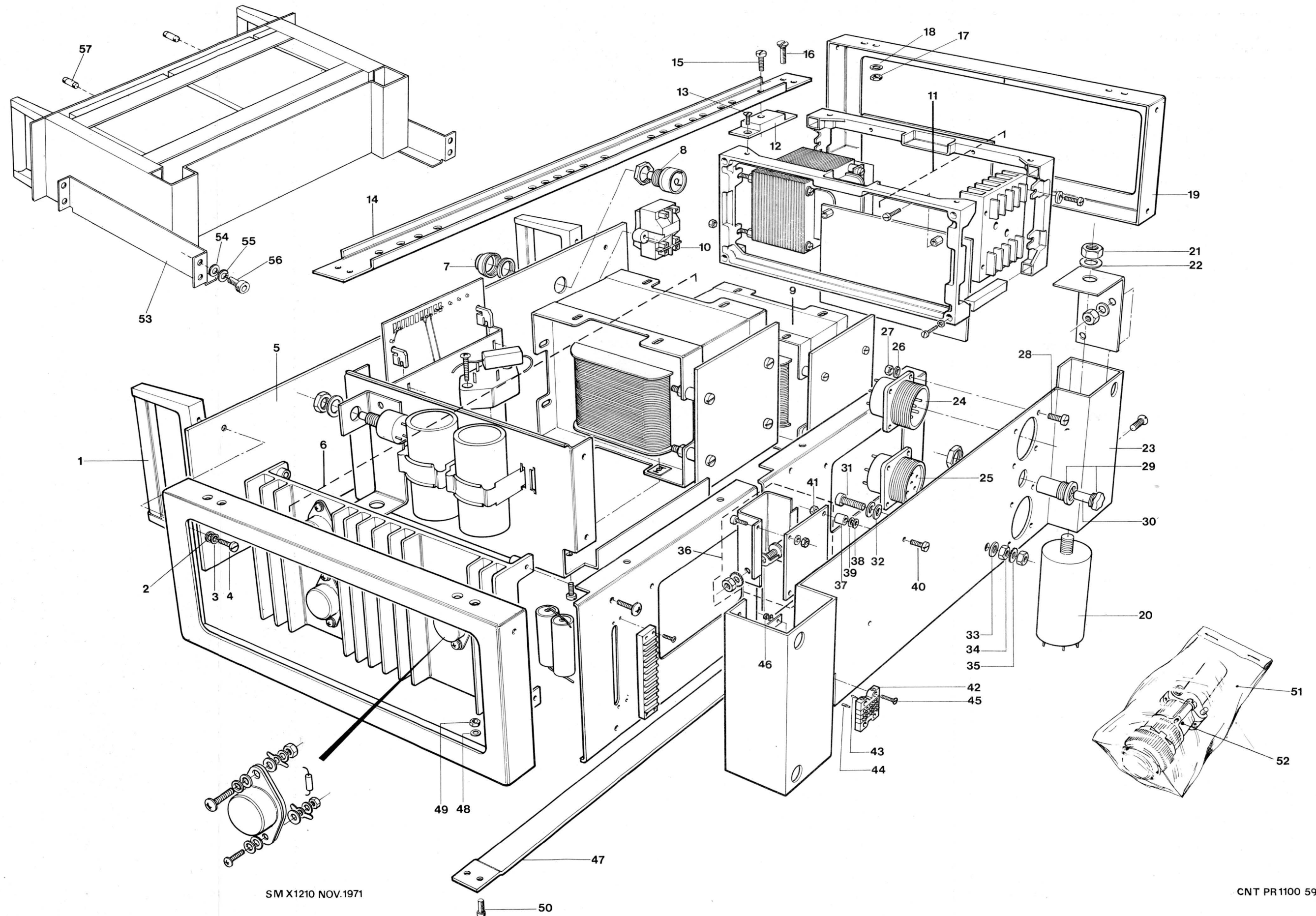


3 CABLE HINGE ASSY.

ACCESSORIES

Item number	Part number	Description	Quantity per assembly
1	5122 296 51100	Slide Assy, Left hand	1
2	5122 290 31100	Slide Assy, Right hand	1
3	5122 293 61100	Cable Hinge Assy	1
4	5122 293 41100	Cable hing	1
5	2522 634 04008	Retaining ring	1
6	5122 220 21100	Hinge pin screw	1
7	2513 700 03204	Cable clip	12
8	5122 291 41100	Interface Cable	1
9	5122 291 51100	Mains Cable	1
10	5122 293 31100	Hinge Assy	1
11	2411 022 02014	Connector 78p	1
12	2422 026 00032	Connector 6p	1
13	2411 022 01001	Connector 18p	1
14	2422 026 00528	Connector 6p	1
	5122 290 11100	Power Supply, XMX1407	
		Breakdown page 8.38	opt.

POWER SUPPLY XMX1407
 Monodisk X1210



POWER SUPPLY XMX1407

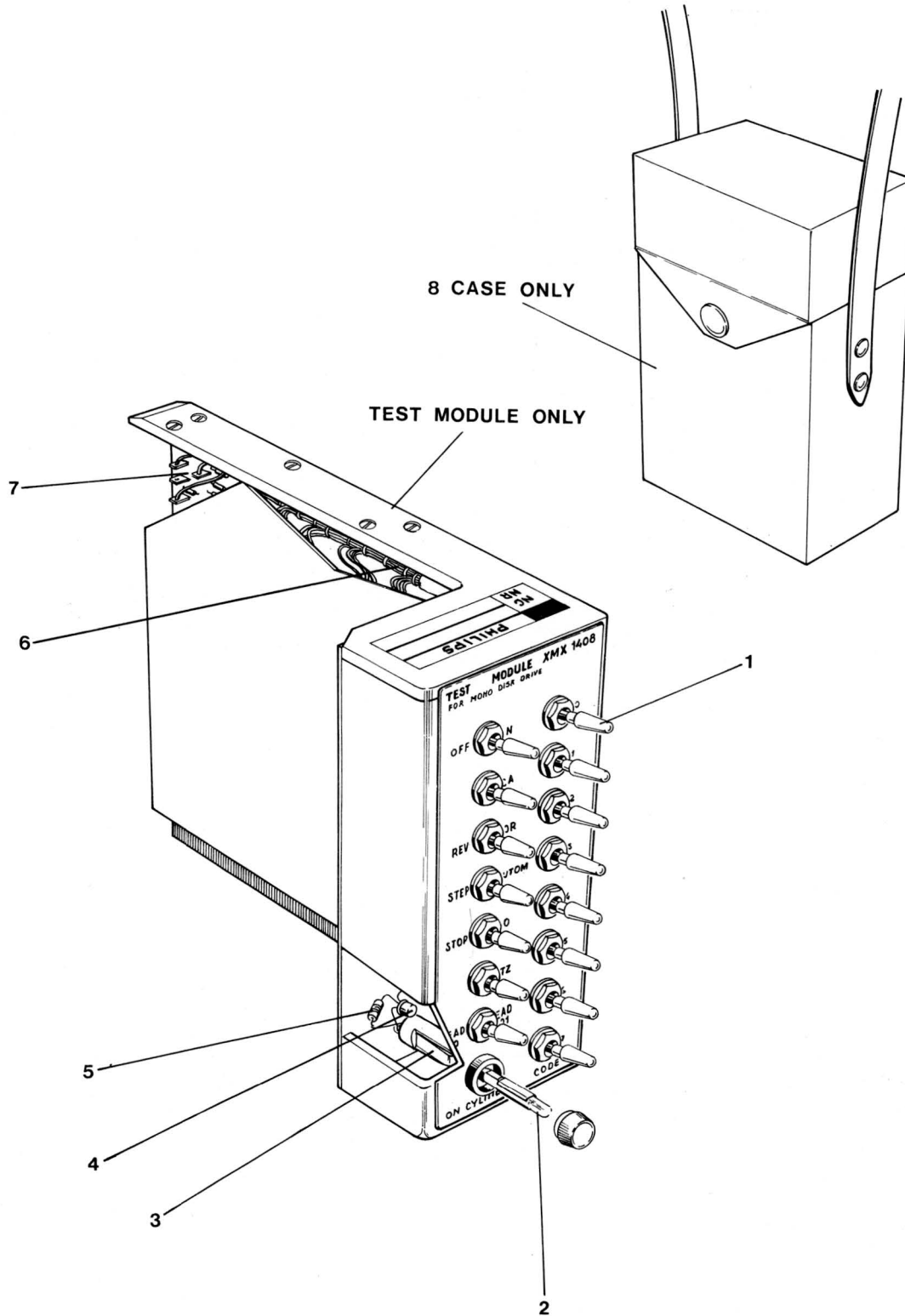
Item number	Part number	Description	Quantity per assembly
	5122 290 91100	Power Supply XMX 1407	
1	4022 107 08440	Handle	2
2	2522 600 16025	Washer,Flat,st.,cd.,4,3x8	4
3	2522 718 01005	Washer,Lock,st.,cd.,4,1x7,1	4
4	2522 004 02043	Screw,Pan hd.,st.,cd.,M4x5	4
5	4022 107 08410	Front Panel Assy	1
6	9415 012 05001	Power Supply PE 1205 +24V	1
7	2422 473 88001	Indicator	1
8	9282 721 00000	Lamp,Neon,220V	1
9	5122 290 01100	Power Supply +5V	1
10	2422 126 01017	Switch	1
11	5122 290 11100	Power Supply -12V	1
12	4022 102 22050	Mounting Plate	4
13	2522 018 01049	Screw,Csk.,st.,cd.,M5x10	4
14	4022 100 82230	Mounting Rail,Perforated	2
15	2522 004 02053	Screw,Pan hd.,st.,cd.,M5x8	2
16	2522 018 01049	Screw,Csk.,st.,cd.,M5x10	8
17	2522 728 01006	Washer,Lock,st.,cd.,5,1x8,7	8
18	2522 401 60012	Nut,Hex.,st.,cd.,M5	8
19	4022 100 82260	Side Panel	2
20	5122 021 21101	Filter	1
21	2522 401 60015	Nut,Hex.,st.,cd.,M8	1
22	2522 728 01008	Washer,Lock,st.,cd.,8,2x14,2	1
23	5122 227 51100	Rear Panel	1
24	2422 026 00031	Connector 6p	1
25	4022 026 00534	Connector 6p	1
26	2522 728 01003	Washer,Lock,st.,cd.,3,1x5,7	8
27	2522 401 60008	Nut,Hex.,st.,cd.,M3	8
28	2522 004 02026	Screw,Pan hd.,st.,cd.,M3x10	8
29	3522 020 00170	Fuse Holder	1

POWER SUPPLY XMX1407

Item number	Part number	Description	Quantity per assembly
	5122 290 91100	Power Supply XMX 1407,cont.	
30	2422 086 01036	Fuse,Slow,6,3A	1
31	2522 004 02073	Screw,Pan hd.,st.,cd.,M6x20	1
32	2522 600 16147	Washer,Flat,st.,cd.,6,4x12,5	1
33	2522 616 04009	Washer,Lock,ext. tooth,6	1
34	2522 401 60013	Nut,Hex.,st.,cd.,M6	1
35	2522 613 01014	Washer,Lock,cu.,sn.,cd.,6,1x11,1	1
36	5122 289 91100	Crow-Bar Assy	1
37	2522 627 01017	Spacer,Aly.,3,1x5x5	2
38	2522 600 20016	Washer,Flat,st.,cd.,3,2x6	2
39	2522 728 01003	Washer,Lock,st.,cd.,3,1x5,7	2
40	2522 001 11116	Screw,Pan hd.,Nylon,M3x25	2
41	2522 401 14008	Nut,Hex.,,Nylon,M3	2
42	2411 022 02002	Connector 18p	1
43	2411 022 49018	Contact,pin	6
44	2411 022 49019	Contact,socket	6
45	2522 001 07037	Screw,Pan hd.,st.,cd.,M1,7x10	4
46	2522 401 04004	Nut,Hex.,st.,cd.,M1,7	4
47	4022 100 82280	Rail,Support,Bottom	2
48	2522 728 01006	Washer,Lock,st.,cd.,5,1x8,7	8
49	2522 401 58012	Nut,Hex.,st.,cd.,M5	8
50	2522 018 01051	Screw,Csk.,st.,cd.,M5x12	8
51	2822 800 06004	Plastic bag	1
52	2422 026 00032	Connector 6p	1
53	4022 102 24870	Rail	2
54	2522 600 16029	Washer,Flat,st.,cd.,5,3x10	8
55	2522 728 01006	Washer,Lock,st.,cd.,5,1x8,7	8
56	2522 006 02205	Screw,cap,st.,cd.,M5x8	2
57		Fuse (supplied with P.S.)	2

Special Tool and Test Equipment (Units with partslist)

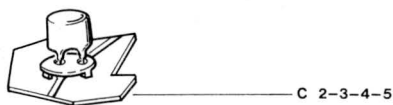
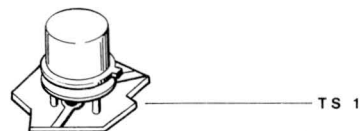
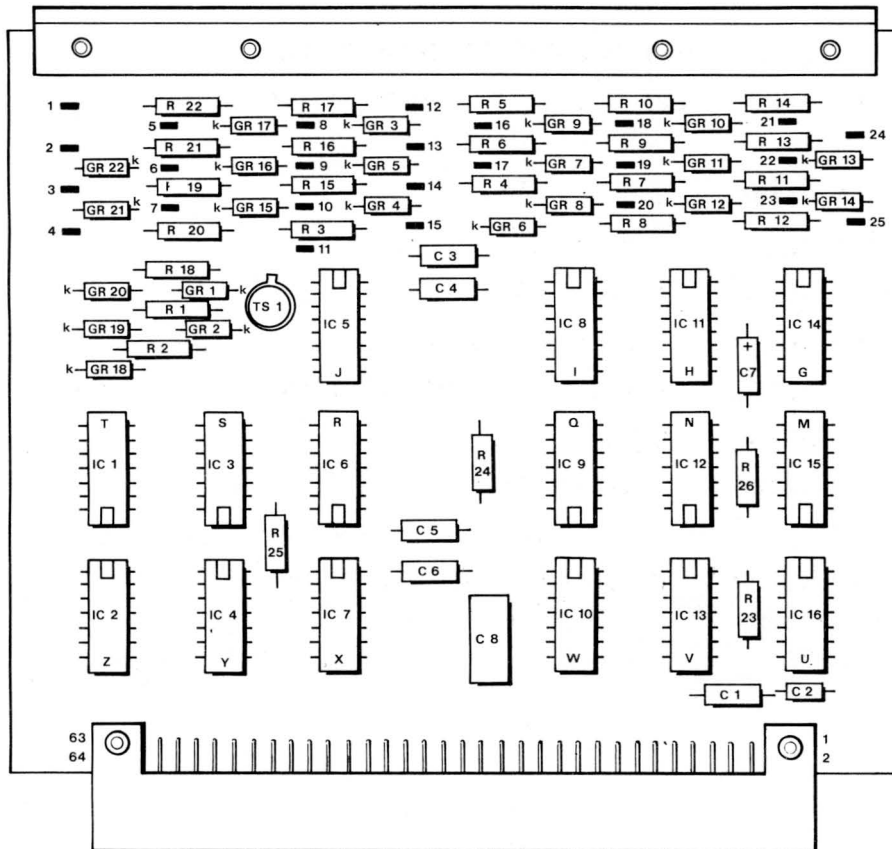
TEST MODULE XMX1408
(With Case)



TEST MODULE XMX1408

Item number	Part number	Description	Quantity per assembly
	5132 196 81100	Test Module XMX 1408,(with case)	
	5122 197 91100	Test Module XMX 1408,(as shown)	
1	2422 125 01194	Switch, Micro	15
2	9236 151 10113	Lamp, signal, 6V, 40mA	1
3	2422 475 00054	Lamp holder	1
4	9330 760 10112	Transistor BC177	1
5	2322 151 52201	Resistor 220 Ohm, 1%, 1/8W	1
6	5132 103 81100	Cable Harness	1
7	5132 199 41100	P.C.B.A. Test Module XMX 1408	
		Breakdown page 8.41	1
8	5132 102 41100	Case, Test Module XMX 1408	1

P.C.B.A. TEST UNIT



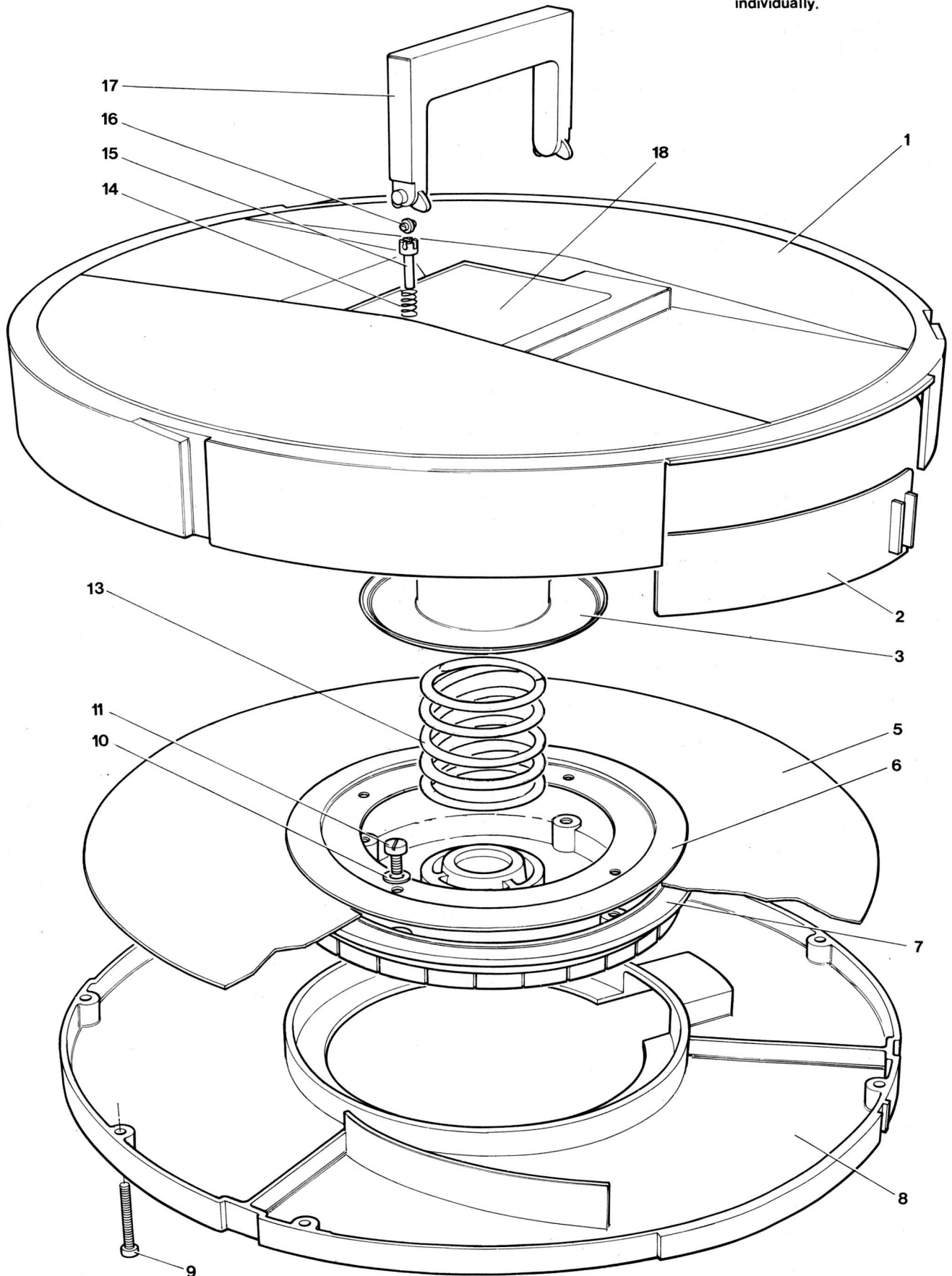
P.C.B.A TEST UNIT

Item number	Part number	Description	Quantity per assembly
	5132 199 41100	P.C.B.A. Test Unit	
1	3522 103 77401	Pad,Capacitor,mtg	5
2	9390 155 30715	Pad,Transistor,mtg,T018	1
	2222 143 15338	Capacitor,3,3MFD,15V,C1	1
	2222 629 01103	Capacitor,10nF,40V,C2-6	5
	2222 143 13568	Capacitor,5,6MFD,6V,C7	1
	2222 344 25224	Capacitor,0,22MFD,100V,C8	1
	9331 012 20112	Diode BAW62,GR1-GR22	22
	9330 500 70112	Integrated Crt,SN7400N,IC1,3,7,8,12	5
	9330 500 30112	Integrated Crt,SN7410N,IC2,5,11,14,16	5
	9330 499 90112	Integrated Crt,SN7420N,IC4	1
	9331 094 30112	Integrated Crt,SN7404N,IC6	1
	9330 504 70112	Integrated Crt,SN7474N,IC9	1
	9331 518 20112	Integrated Crt,SN74121N,IC10,15	2
	9331 662 90112	Integrated Crt,N8281A,IC13	1
	9330 441 00112	Transistor BCY70,TS1	1
	2322 151 52152	Resistor 2,15K ohm, $\frac{1}{4}$ W,1%,R1-24	24
	2322 151 52151	Resistor 215 ohm, $\frac{1}{4}$ W,1%,R25	1
	2322 151 51623	Resistor 16,2K ohm, $\frac{1}{4}$ W,1%,R26	1

CASSETTE ASSY, C.E. TEST
16 AND 24 SECTORS

NOTE:

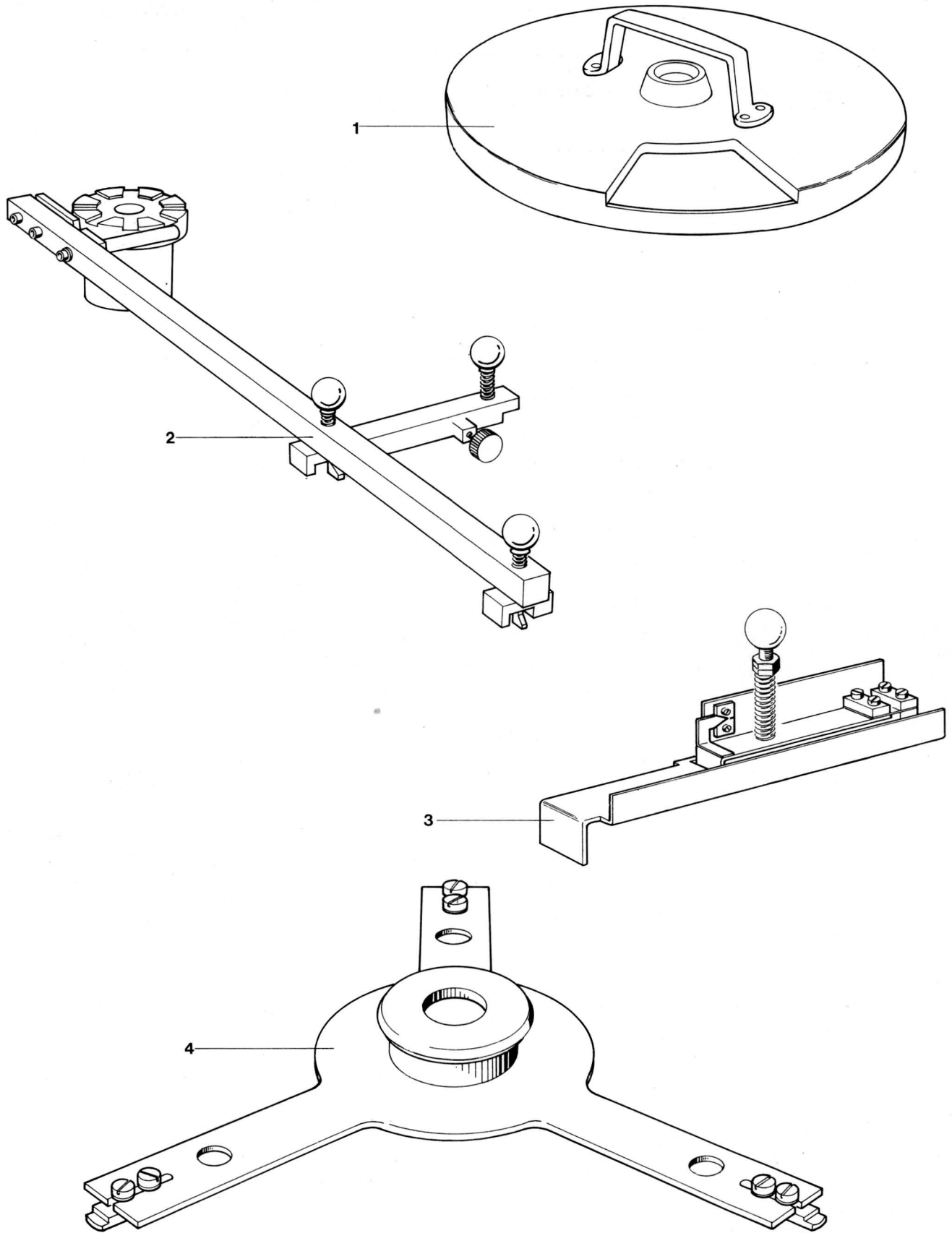
This illustration and associated parts list is for reference only. i.e. No parts listed can be supplied individually.



**CASSETTE ASSY,C.E TEST
16 AND 24 SECTORS**

Item number	Part number	Description	Quantity per assembly
	5122 290 71100	Cassette Assy,CE TEST,16 and 24 sectors	
1	5122 202 71100	Cassette,Half,Upper	1
2	5122 202 91100	Cover,Storage	1
3	5122 299 21100	Spring,Container	1
4			
5	5122 299 41100	Disc,Assy,24 sectors	1
6	5122 204 91100	Disc,Pressure	1
7	5122 203 11100	Hub,Disc,24 sectors	1
8	5122 202 81100	Cassette,Half,Lower	1
9	2511 001 08026	Screw,Selft,M3,5x25	7
10	2522 600 12031	Washer,Flat,insul.,5,3x11	4
11	2522 004 02053	Screw,Pan hd.,st.,cd.,M5x8	4
12			
13	5122 229 91100	Spring,Compression	1
14	5122 204 51100	Spring,Compression	2
15	5122 204 61100	Pin,Roll,Cam	1
16	5122 204 71100	Roll,Cam	1
17	5122 292 41100	Grip,Assy,24 sectors	1
18	5122 292 61100	Escutcheon,PHILIPS	1

MONODISK X1210 (set-up fixtures)



MONODISK1210(set-up fixtures)

Item number	Part number	Description	Quantity per assembly
-------------	-------------	-------------	-----------------------

Monodisk X1210 set-up fixtures

1	8122 168 99030	Index set-up fixture	1
2	8122 168 99700	Positioner set-up fixture	1
3	8122 168 99920	Belt tension gauge	1
4	8122 168 99760	Centering fixture,Cassette holder	1

PARTS CROSS REFERENCE LIST

Factory number	Concern Service Stock number Eindhoven			Factory number	Concern Service Stock number Eindhoven		
0822 026 08003	5322 530 24005	2322 151 51473	5322 116 50525				
0822 096 02189	5322 530 24006	2322 151 51622	5322 116 50949				
1222 100 98256	5322 466 64024	2322 151 51623					
1222 100 98257	5322 466 64024	2322 151 51781	5322 116 50835				
1222 100 98261	5322 466 64025	2322 151 51782	5322 116 50515				
2222 023 18101	5322 124 24009	2322 151 51961	5322 116 50676				
2222 101 13209	5322 124 10008	2322 151 52151	5322 116 50457				
2222 121 15189	5322 124 20553	2322 151 52152	5322 116 50767				
2222 121 16129	5322 124 10163	2322 151 52153	5322 116 50451				
2222 143 13568		2322 151 52371	5322 116 50679				
2222 143 14478	5322 124 10157	2322 151 52372	5322 116 50595				
2222 143 15338	5322 124 10005	2322 151 52611	5322 116 50405				
2222 341 89333		2322 151 52612	5322 116 50671				
2222 344 21154	5322 121 40231	2322 151 52871	5322 116 50292				
2222 344 21473	5322 121 40055	2322 151 52873	5322 116 50476				
2222 344 25104	5322 121 40323	2322 151 53161	5322 116 50529				
2222 344 25224	5322 121 40232	2322 151 53162	5322 116 50579				
2222 344 25683	5322 121 40057	2322 151 53481	5322 116 50289				
2222 344 25684	5322 121 40233	2322 151 53482	5322 116 50985				
2222 435 46802	5322 121 54005	2322 151 53831	5322 116 50288				
2222 629 01103	5322 122 30043	2322 151 53832	5322 116 50791				
2222 630 01101	5322 122 30027	2322 151 53839	5322 116 50954				
2222 630 01472	5322 122 30129	2322 151 54221	5322 116 50459				
2222 630 01821	5322 122 30031	2322 151 54223	5322 116 50474				
2222 631 09688	5322 122 30007	2322 151 54641	5322 116 50536				
2222 631 10101	5322 122 30021	2322 151 54642	5322 116 50484				
2222 631 10121	5322 122 30093	2322 151 55111	5322 116 50659				
2222 631 10229	5322 122 30022	2322 151 55112	5322 116 50762				
2222 631 10339	5322 122 30016	2322 151 55113	5322 116 50672				
2222 631 10399	5322 122 30013	2322 151 55621	5322 116 54009				
2222 631 10479	5322 122 30008	2322 151 55622	5322 116 54011				
2222 631 10829	5322 122 30015	2322 151 56191	5322 116 50977				
2222 631 46181	5322 122 30125	2322 151 56199	5322 116 50733				
2222 631 58271	5322 122 30107	2322 151 56811	5322 116 50647				
2222 631 70391	5322 122 30091	2322 151 56813	5322 116 50649				
2322 151 51001	5322 116 50746	2322 151 56819	5322 116 50359				
2322 151 51002	5322 116 50573	2322 151 57501	5322 116 50554				
2322 151 51003	5322 116 50748	2322 151 57502	5322 116 50151				
2322 151 51004	5322 116 50244	2322 152 51101	5322 116 50843				
2322 151 51009	5322 116 50452	2322 152 51104	5322 116 50198				
2322 151 51102	5322 116 50518	2322 152 51213					
2322 151 51332	5322 116 50413	2322 320 12399	5322 112 30069				
2322 151 51333	5322 116 50598	2322 325 37629	5322 112 20075				

Factory number	Concern Service Stock number Eindhoven	Factory number	Concern Service Stock number Eindhoven
2322 410 05001	5322 100 10073	2513 700 03196	5322 401 14052
2322 410 05002	5322 100 10026	2513 700 03204	
2322 410 05005	5322 100 10027	2522 040 31093	5322 502 34034
2411 021 01061	5322 268 94005	2522 634 04008	
2411 022 01001	5322 263 74002	2522 724 01002	5322 417 20012
2411 022 01002	5322 264 64003	2622 080 30001	
2411 022 01031	5322 263 74003	2622 799 05027	5322 344 44001
2411 022 01034	5322 263 74004	2622 890 00018	5322 520 40017
2411 022 01047	5322 268 34005	2922 006 98001	5322 526 40351
2411 022 01049	5322 263 74005	2922 014 98005	5322 526 44003
2411 022 02002		2922 024 04014	5322 480 44001
2411 022 02014		2922 031 10042	5322 281 24003
2411 022 49018	5322 268 14007	3522 020 00170	
2411 022 49019	5322 268 24003	3522 059 99330	
2412 015 09038	5322 462 44025	3522 103 77401	
2422 026 00031	5322 265 34008	4322 026 36770	5322 255 44017
2422 026 00032		4322 026 70190	5322 395 94003
2422 026 00534		5122 020 31241	
2422 026 00528		5122 020 40171	5322 520 24034
2422 032 00566	5322 268 94004	5122 020 40531	5322 492 54042
2422 032 00571	5322 290 34024	5122 020 40591	5322 492 54041
2422 034 10042	5322 268 14006	5122 020 40641	5322 492 34109
2422 034 10094	5322 268 40062	5122 020 40651	5322 492 54046
2422 034 10111	5322 268 34003	5122 021 10531	5322 255 34008
2422 034 10112	5322 268 34004	5122 021 10541	5322 276 14012
2422 034 10165	5322 268 14005	5122 021 10551	5322 255 34007
2422 034 10166	5322 268 24002	5122 021 21101	
2422 034 10253	5322 267 34004	5122 201 61100	5322 492 54044
2422 086 00039	5322 253 20022	5122 202 71100	5322 443 74003
2422 086 00053		5122 202 81100	5322 443 74002
2422 092 00001	5322 256 40017	5122 202 91100	5322 466 94096
2422 120 00291	5322 271 34022	5122 204 51100	5322 492 54047
2422 125 01194		5122 204 61100	5322 535 94281
2422 126 01017		5122 204 71100	5322 528 94022
2422 132 01434	5322 280 74003	5122 206 71100	5322 466 84554
2422 135 00128	5322 401 14045	5122 206 91100	5322 532 64038
2422 135 03283	5322 255 64003	5122 207 31100	5322 532 64041
2422 135 03284	5322 401 14053	5122 207 41100	5322 532 64042
2422 473 88001		5122 209 41100	5322 492 64099
2422 475 00054		5122 211 21100	5322 462 44026
2422 476 01038		5122 213 01100	5322 418 34005
2422 535 00109	5322 158 10222	5122 214 21100	
2512 700 08093		5122 215 81100	5322 492 54048

Factory number	Concern Service Stock number Eindhoven	Factory number	Concern Service Stock number Eindhoven
5122 216 11100		5122 293 71100	5322 216 24068
5122 216 61100	5322 466 94097	5122 294 61100	
5122 216 91100	5322 526 44002	5122 294 71100	5322 361 84021
5122 217 01100	5322 532 14198	5122 295 11100	5322 361 14011
5122 217 11100	5322 532 14197	5122 295 61100	5322 281 64062
5122 220 21100	5322	5122 296 01100	5322 321 24057
5122 221 21100	5322 492 54045	5122 296 11100	5322 281 34012
5122 221 51100	5322 466 84556	5122 296 51100	5322 462 34035
5122 222 11100	5322 121 14011	5122 296 61100	5322 281 24002
5122 224 01100	5322 492 34111	5122 297 21100	5322 218 84005
5122 224 41100	5322 532 54065	5122 297 31100	5322 271 34021
5122 228 21100		5122 297 71100	5322 360 54001
5122 229 21100		5122 297 81100	5322 249 14004
5122 229 51100		5122 298 01100	5322 479 34002
5122 229 91100		5122 298 31100	5322 249 14003
5122 230 41100		5122 298 81100	5322 479 34001
5122 230 81100		5122 299 01100	5322 218 84002
5122 232 01100		5122 299 21100	5322 462 54026
5122 232 51100		5122 299 41100	5322 520 34071
5122 233 11100		5122 299 51100	5322 443 74001
5122 287 41550	5322 263 74006	5122 299 61100	
5122 288 61100		5122 299 91100	5322 535 74137
5122 289 91100		5132 102 41100	5322 600 44001
5122 290 01100		5132 104 31100	
5122 290 11100		5132 104 41100	
5122 290 31100	5322 462 34036	5132 105 51100	5322 321 24058
5122 290 71100	5322 395 34002	5132 196 81100	
5122 290 91100		5132 197 21100	5322 158 14005
5122 291 01100	5322 492 64095	5132 197 91100	
5122 291 21100	5322 466 44013	5132 198 31100	5322 218 84004
5122 291 41100		5132 198 51100	5322 216 24056
5122 291 51100		5132 198 61100	5322 216 24057
5122 292 21100		5132 198 71100	5322 216 24058
5122 292 31100		5132 198 91100	5322 216 24059
5122 292 41100	5322 498 54008	5132 199 01100	5322 216 24061
5122 292 51100	5322 498 54009	5132 199 11100	5322 216 24062
5122 292 61100		5132 199 21100	5322 216 24063
5122 292 91100	5322 456 34006	5132 199 31100	5322 216 24064
5122 293 01100	5322 443 74004	5132 199 41100	5322 395 34001
5122 293 11100	5322 520 34072	5132 199 51100	5322 216 24065
5122 293 31100		5132 199 61100	5322 216 24066
5122 293 41100		5132 199 71100	5322 216 24067
5122 293 61100		5132 199 91100	5322 218 84003

Factory number	Concern Service Stock number Eindhoven			Factory number	Concern Service Stock number Eindhoven		
9234	627	21703	5322	134	40268		
9236	151	10113					
9282	721	00000					
9330	092	20112	5322	130	30392		
9330	092	60112	5322	130	30264		
9330	092	70112	5322	130	30284		
9330	092	80112	5322	130	30193		
9330	092	90112	5322	130	30286		
9330	116	40112	5322	130	40493		
9330	116	50112	5322	130	40325		
9330	116	60112	5322	130	40491		
9330	216	10112	5322	130	40299		
9330	226	40112	5322	130	40021		
9330	283	50112	5322	130	44019		
9330	283	60112	5322	130	40502		
9330	441	00112	5322	130	40324		
9330	441	20112	5322	130	40486		
9330	458	51112	5322	130	30607		
9330	499	50112	5322	209	80106		
9330	499	90112	5322	209	80024		
9330	500	30112	5322	209	80062		
9330	500	70112	5322	209	80023		
9330	501	10112	5322	209	80198		
9330	504	70112	5322	209	80065		
9330	566	60112	5322	130	40423		
9330	662	90112	5322	209	84019		
9330	663	00112	5322	209	84021		
9330	663	10112	5322	209	84022		
9330	663	20112	5322	209	84023		
9330	806	20112	5322	209	80128		
9330	978	00112	5322	130	40687		
9331	012	20112	5322	130	30613		
9331	094	30112	5322	209	80208		
9331	253	80112	5322	209	84016		
9331	518	20112	5322	209	84017		
9331	661	40112	5322	209	84024		
9331	661	60112	5322	209	84018		
9331	662	90112	5322	209	84019		
9390	155	30715	5322	255	44016		
9415	012	05001					

Concern Service Stock number Eindhoven	Factory number	Concern Service Stock number Eindhoven	Factory number
5322 100 10026	2322 410 05002	5322 116 50791	2322 151 53832
5322 100 10027	2322 410 05005	5322 116 50835	2322 151 51781
5322 100 10073	2322 410 05001	5322 116 50843	2322 152 51101
5322 112 20075	2322 325 37629	5322 116 50949	2322 151 51622
5322 112 30069	2322 320 12399	5322 116 50954	2322 151 53839
5322 116 50151	2322 151 57502	5322 116 50977	2322 151 56191
5322 116 50198	2322 152 51104	5322 116 50985	2322 151 53482
5322 116 50244	2322 151 51004	5322 116 54009	2322 151 55621
5322 116 50288	2322 151 53831	5322 116 54011	2322 151 55622
5322 116 50289	2322 151 53481	5322 121 14011	5122 222 11100
5322 116 50292	2322 151 52871	5322 121 40055	2222 344 21473
5322 116 50359	2322 151 56819	5322 121 40057	2222 344 25683
5322 116 50405	2322 151 52611	5322 121 40231	2222 344 21154
5322 116 50413	2322 151 51332	5322 121 40232	2222 344 25224
5322 116 50451	2322 151 52153	5322 121 40233	2222 344 25684
5322 116 50452	2322 151 51009	5322 121 40323	2222 344 25104
5322 116 50457	2322 151 52151	5322 121 54005	2222 435 46802
5322 116 50459	2322 151 54221	5322 122 30007	2222 631 09688
5322 116 50474	2322 151 54223	5322 122 30008	2222 631 10479
5322 116 50476	2322 151 52873	5322 122 30013	2222 631 10399
5322 116 50484	2322 151 54642	5322 122 30015	2222 631 10829
5322 116 50515	2322 151 51782	5322 122 30016	2222 631 10339
5322 116 50518	2322 151 51102	5322 122 30021	2222 631 10101
5322 116 50525	2322 151 51473	5322 122 30022	2222 631 10229
5322 116 50529	2322 151 53161	5322 122 30027	2222 630 01102
5322 116 50536	2322 151 54641	5322 122 30031	2222 630 01821
5322 116 50554	2322 151 57501	5322 122 30043	2222 629 01103
5322 116 50573	2322 151 51002	5322 122 30091	2222 631 70391
5322 116 50579	2322 151 53162	5322 122 30039	2222 631 10121
5322 116 50595	2322 151 52372	5322 122 30107	2222 631 58271
5322 116 50598	2322 151 51333	5322 122 30125	2222 631 46181
5322 116 50647	2322 151 56811	5322 122 30129	2222 630 01472
5322 116 50649	2322 151 56813	5322 124 10005	2222 143 15338
5322 116 50659	2322 151 55111	5322 124 10008	2222 101 13209
5322 116 50671	2322 151 52612	5322 124 10157	2222 143 14478
5322 116 50672	2322 151 55113	5322 124 10163	2222 121 16129
5322 116 50676	2322 151 51961	5322 124 20553	2222 121 15189
5322 116 50679	2322 151 52371	5322 124 24009	2222 023 18101
5322 116 50733	2322 151 56199	5322 130 30193	9330 092 80112
5322 116 50746	2322 151 51001	5322 130 30264	9330 092 60112
5322 116 50748	2322 151 51003	5322 130 30284	9330 092 70112
5322 116 50762	2322 151 55112	5322 130 30286	9330 092 90112
5322 116 50767	2322 151 52152	5322 130 30392	9330 092 20112

Concern Service Stock number Eindhoven	Factory number	Concern Service Stock number Eindhoven	Factory number
5322 130 30607	9330 458 51112	5322 216 24068	5122 293 71100
5322 130 30613	9331 012 20112	5322 218 84002	5122 299 01100
5322 130 40021	9330 226 40112	5322 218 84003	5132 199 91100
5322 130 40299	9330 216 10112	5322 218 84004	5132 198 31100
5322 130 40324	9330 441 00112	5322 218 84005	5122 297 21100
5322 130 40325	9330 116 50112	5322 249 14003	5122 298 31100
5322 130 40423	9330 556 60112	5322 249 14004	5122 297 81100
5322 130 40486	9330 441 20112	5322 253 20022	2422 086 00039
5322 130 40491	9330 116 60112	5322 255 34007	5122 021 10551
5322 130 40493	9330 116 40112	5322 255 34008	5122 021 10531
5322 130 40502	9330 283 50112	5322 255 44016	9330 155 30715
5322 130 40687	9330 978 00112	5322 255 44017	4322 026 36770
5322 130 44019	9330 283 50112	5322 255 64003	2422 135 03283
5322 134 40268	9234 627 21703	5322 256 40017	2422 092 00001
5322 158 10222	2422 535 00109	5322 263 74002	2411 022 01001
5322 158 14005	5132 197 21100	5322 263 74003	2411 022 01031
5322 209 80023	9330 500 70112	5322 263 74004	2411 022 01034
5322 209 80024	9330 499 90112	5322 263 74005	2411 022 01049
5322 209 80062	9330 500 30112	5322 263 74006	5122 287 41551
5322 209 80065	9330 504 70112	5322 264 64003	2411 022 01002
5322 209 80106	9330 499 50112	5322 265 34008	2422 026 00031
5322 209 80128	9330 806 20112	5322 267 34004	2422 034 10253
5322 209 80198	9330 501 10112	5322 268 14005	2422 034 10165
5322 209 80208	9331 094 30112	5322 268 14006	2422 034 10042
5322 209 84016	9331 253 80112	5322 268 14007	2411 022 49018
5322 209 84017	9331 518 20112	5322 268 24002	2422 034 10166
5322 209 84018	9331 661 60112	5322 268 24003	2411 022 49019
5322 209 84019	9331 662 90112	5322 268 34003	2422 034 10111
5322 209 84021	9330 663 00112	5322 268 34004	2422 034 10112
5322 209 84022	9330 663 10112	5322 268 34005	2411 022 01047
5322 209 84023	9330 663 20112	5322 268 40062	2422 034 10094
5322 209 84024	9331 661 40112	5322 268 94004	2422 032 00566
5322 216 24056	5132 198 51100	5322 268 94005	2411 022 01061
5322 216 24057	5132 198 61100	5322 271 34021	5122 297 31100
5322 216 24058	5132 198 71100	5322 271 34022	2422 120 00291
5322 216 24059	5132 198 91100	5322 276 14012	5122 021 10541
5322 216 24061	5132 199 01100	5322 280 74003	2422 132 01434
5322 216 24062	5132 199 11100	5322 281 24002	5122 296 61100
5322 216 24063	5132 199 21100	5322 281 24003	2922 031 10042
5322 216 24064	5132 199 31100	5322 281 34012	5122 296 11100
5322 216 24065	5132 199 51100	5322 281 64062	5122 295 61100
5322 216 24066	5132 199 61100	5322 290 34024	2422 032 00571
5322 216 24067	5132 199 71100	5322 321 24057	5122 296 01100

Concern Service Stock number Eindhoven			Factory number			Concern Service Stock number Eindhoven			Factory number		
5322	321	24058	5132	105	51100	5322	492	64095	5122	291	01100
5322	344	44001	2622	799	05027	5322	492	64099	5122	209	41100
5322	360	54001	5122	297	71100	5322	498	54008	5122	292	41100
5322	361	14011	5122	295	11100	5322	498	54009	5122	292	51100
5322	361	84021	5122	294	71100	5322	502	34034	2522	040	31093
5322	395	34001	5132	199	41100	5322	520	24034	5122	020	40171
5322	395	34002	5122	290	71100	5322	520	34071	5122	299	41100
5322	395	94003	4322	026	70190	5322	520	34072	5122	293	11100
5322	401	14045	2422	135	00128	5322	520	40017	2622	890	00018
5322	401	14052	2513	700	03196	5322	526	40351	2922	006	98001
5322	401	14053	2422	135	03284	5322	526	44002	5122	216	91100
5322	417	20012	2522	724	01002	5322	526	44003	2922	014	98005
5322	418	34005	5122	213	01100	5322	528	94022	5122	204	71100
5322	443	74001	5122	299	51100	5322	530	24005	0822	026	08003
5322	443	74002	5122	202	81100	5322	530	24006	0822	096	02189
5322	443	74003	5122	202	71100	5322	532	14197	5122	217	11100
5322	443	74004	5122	293	01100	5322	532	14198	5122	217	01100
5322	456	34006	5122	292	91100	5322	532	54065	5122	224	41100
5322	462	34035	5122	296	51100	5322	532	64038	5122	206	91100
5322	462	34036	5122	290	31100	5322	532	64041	5122	207	31100
5322	462	44025	2412	015	09038	5322	532	64042	5122	207	41100
5322	462	44026	5122	211	21100	5322	535	74137	5122	299	91100
5322	462	54026	5122	299	21100	5322	535	94281	5122	204	61100
5322	466	44013	5122	291	21100	5322	600	44001	5132	102	41100
5322	466	64024	1222	100	98256						
5322	466	64024	1222	100	98257						
5322	466	64025	1222	100	98261						
5322	466	84554	5122	206	71100						
5322	466	84556	5122	221	51100						
5322	466	94096	5122	202	01100						
5322	466	94097	5122	216	61100						
5322	479	34001	5122	298	81100						
5322	479	34002	5122	298	01100						
5322	480	44003	2922	024	04012						
5322	492	34109	5122	020	40641						
5322	492	34111	5122	224	01100						
5322	492	54041	5122	020	40591						
5322	492	54042	5122	020	40531						
5322	492	54044	5122	201	61100						
5322	492	54045	5122	221	21100						
5322	492	54046	5122	020	40651						
5322	492	54047	5122	204	51100						
5322	492	54048	5122	215	81100						